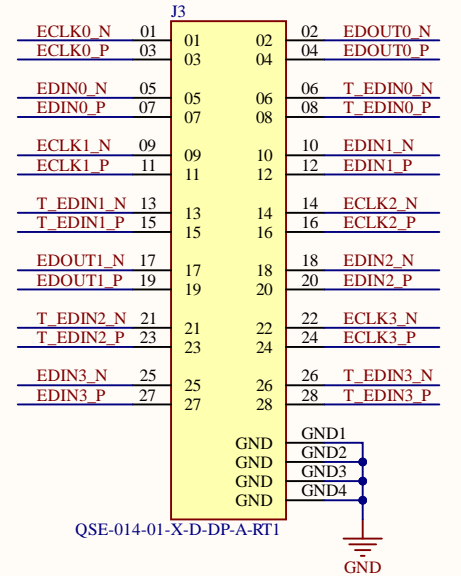
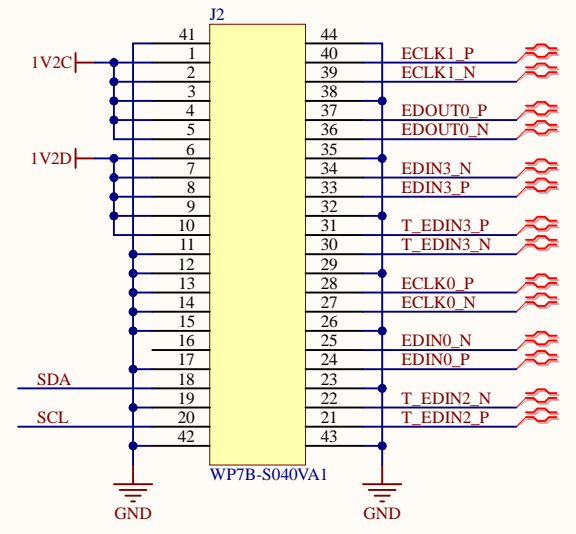


1V2_mon0 connect to 1V2C through a 1.2K 0.5% resistor
 1V2_mon1 connect to 1V2A through a 1.2K 0.5% resistor



Title		
ETL_RB adapter		
Size	Number	Revision
C		v1
Date:	1/24/2021	Sheet of 1
File:	D:\projects\...emu_adapter.SchDoc	Drawn By: