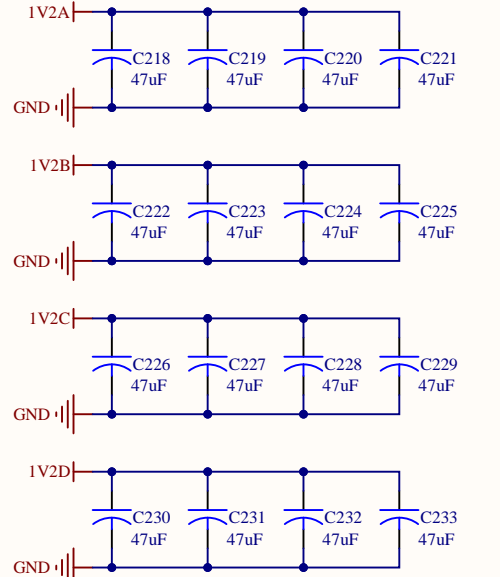
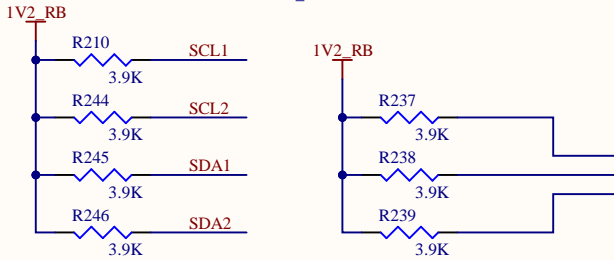
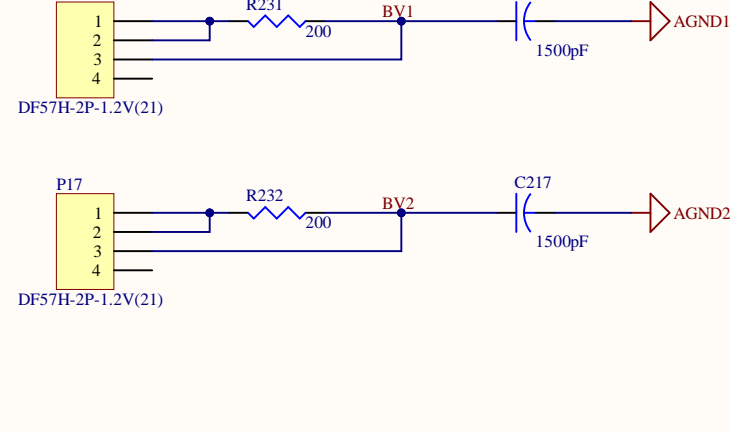
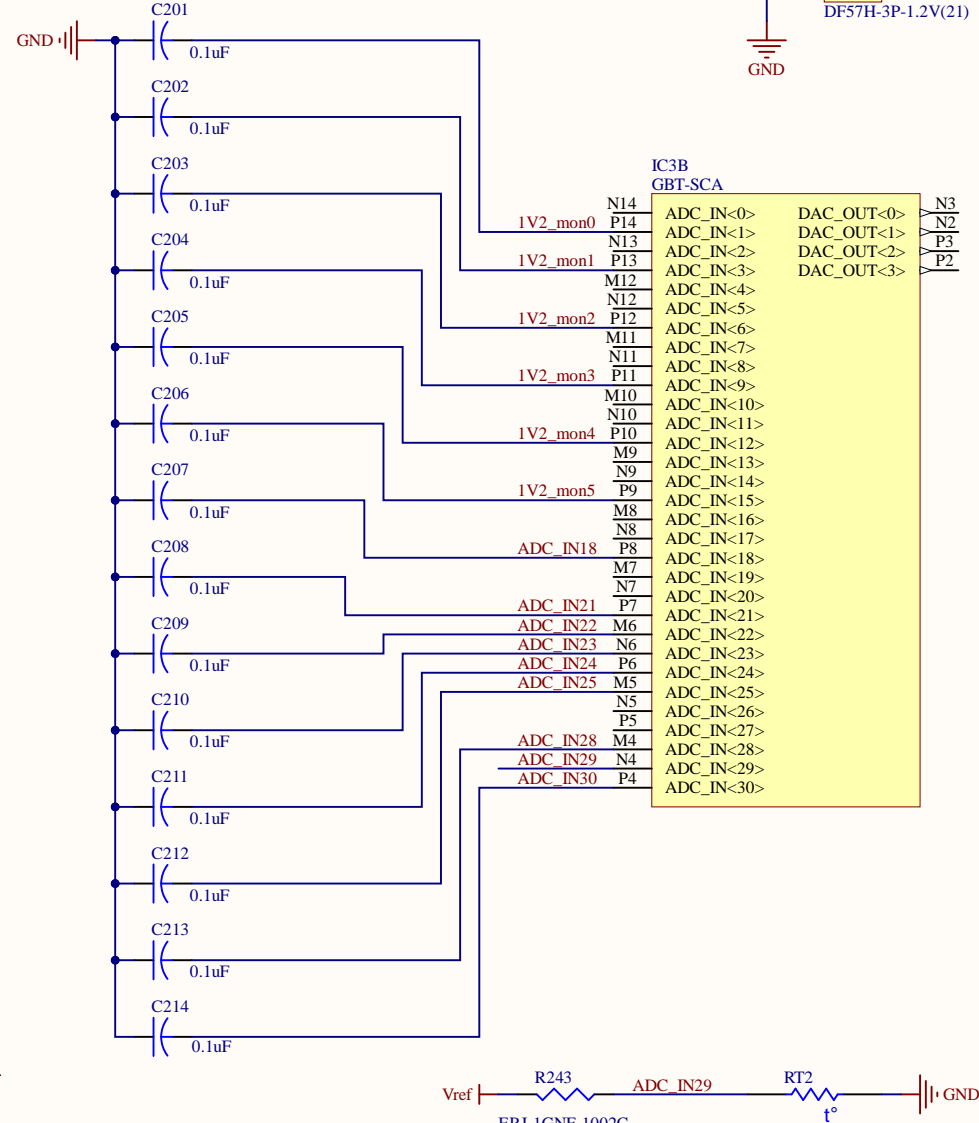
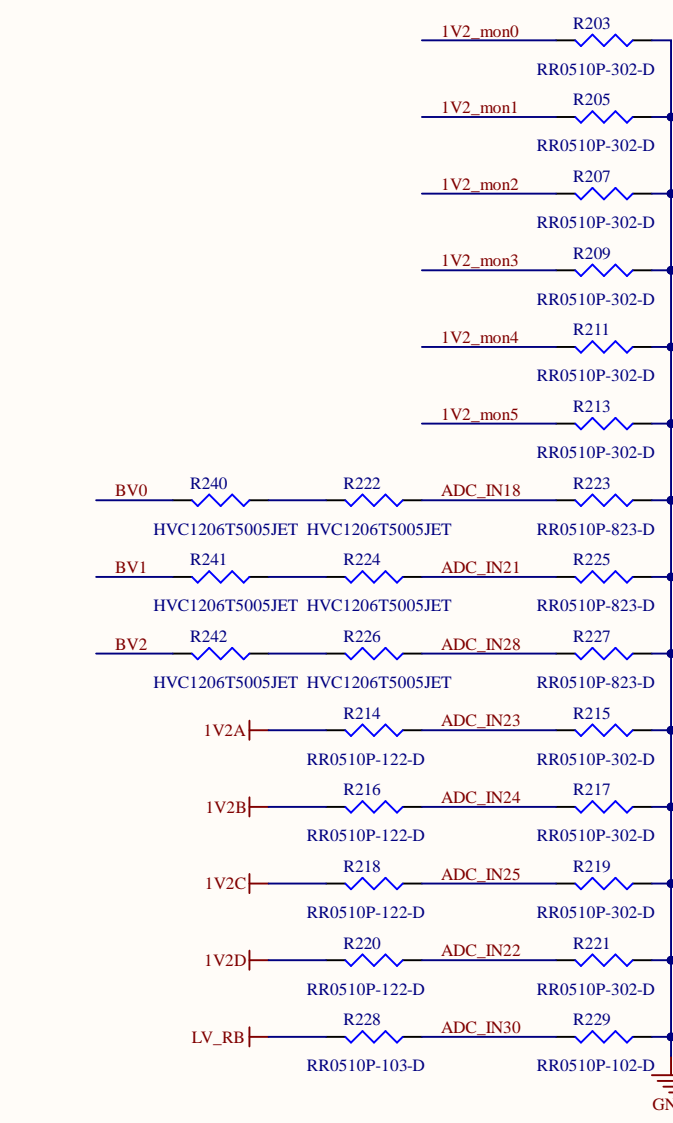
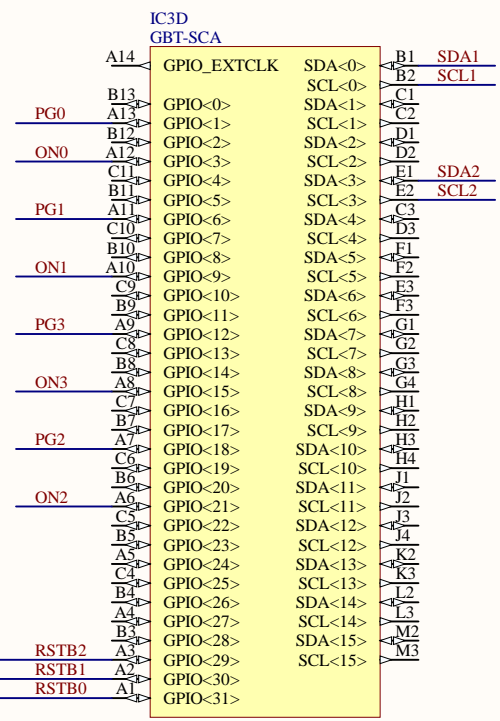
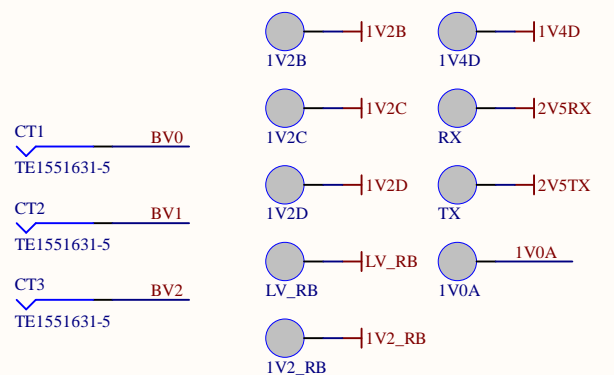
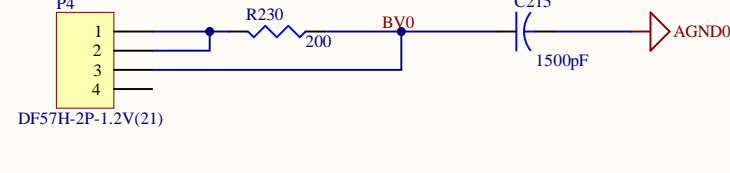
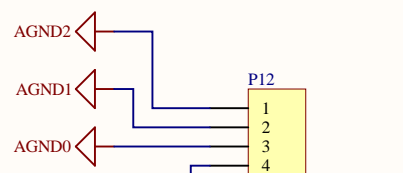
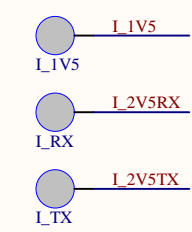
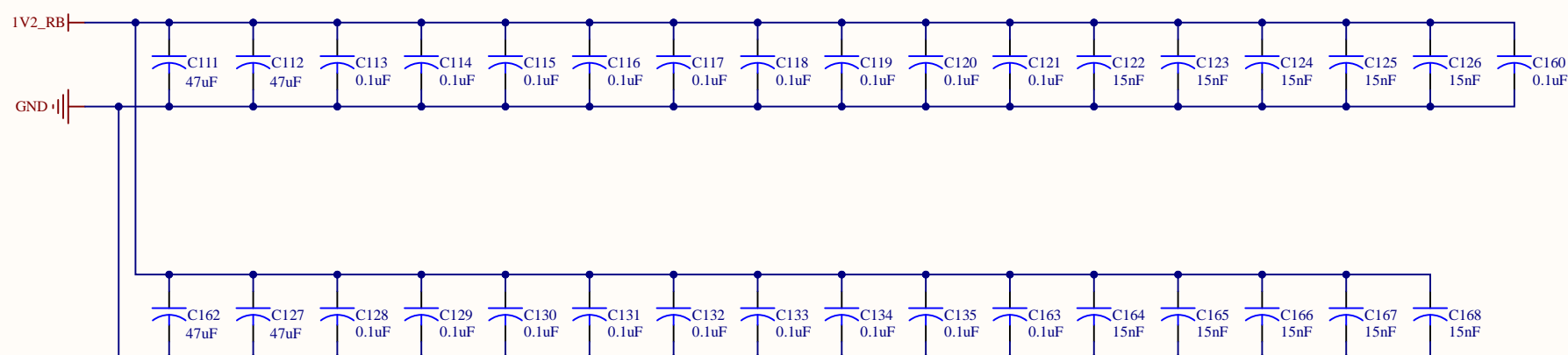
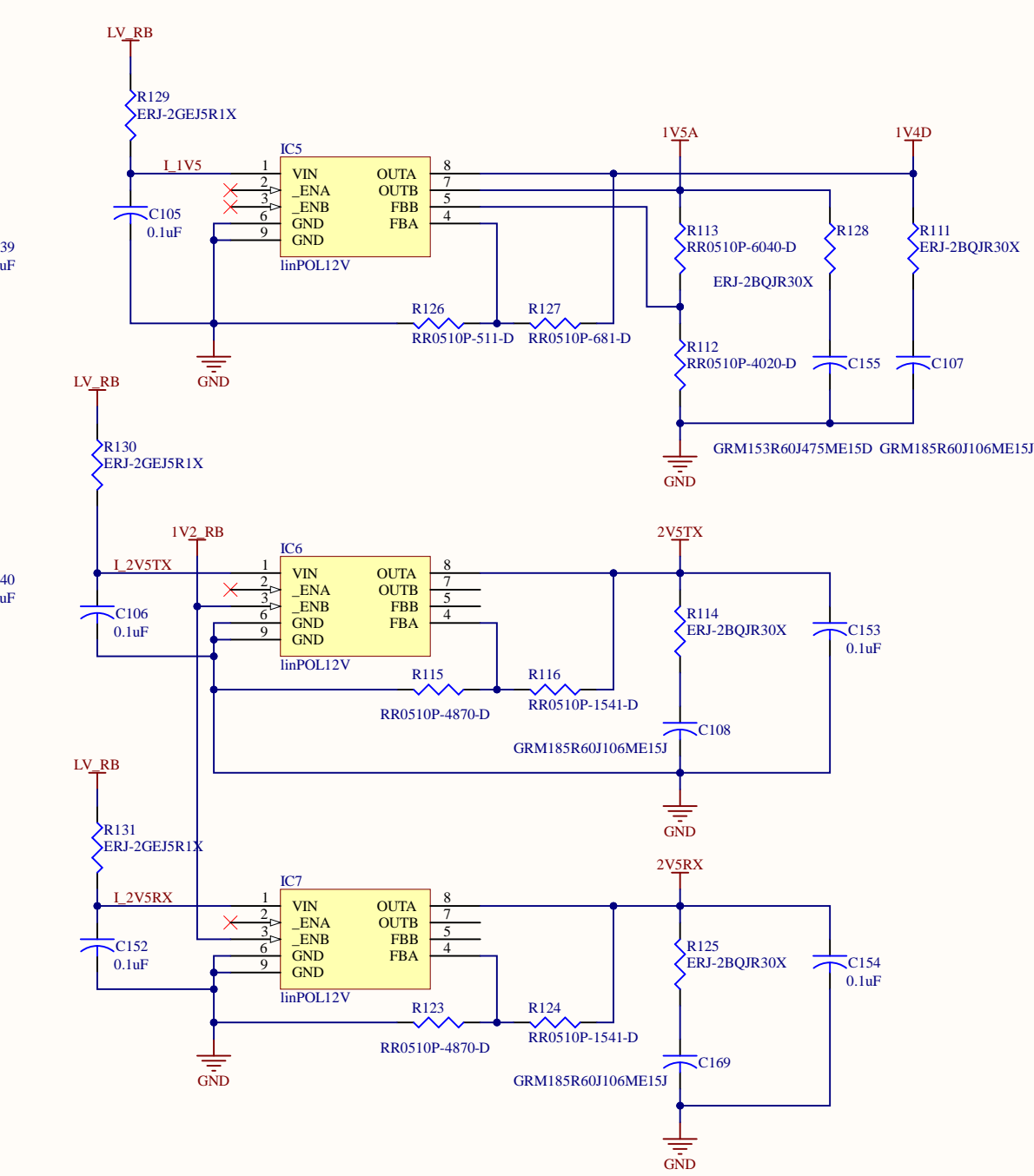
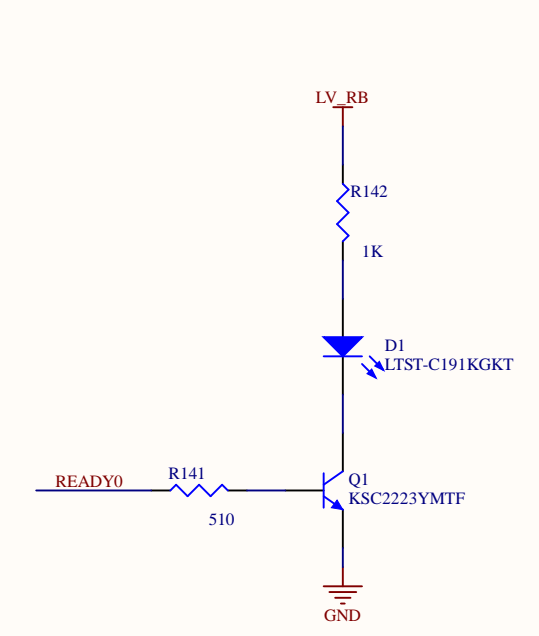
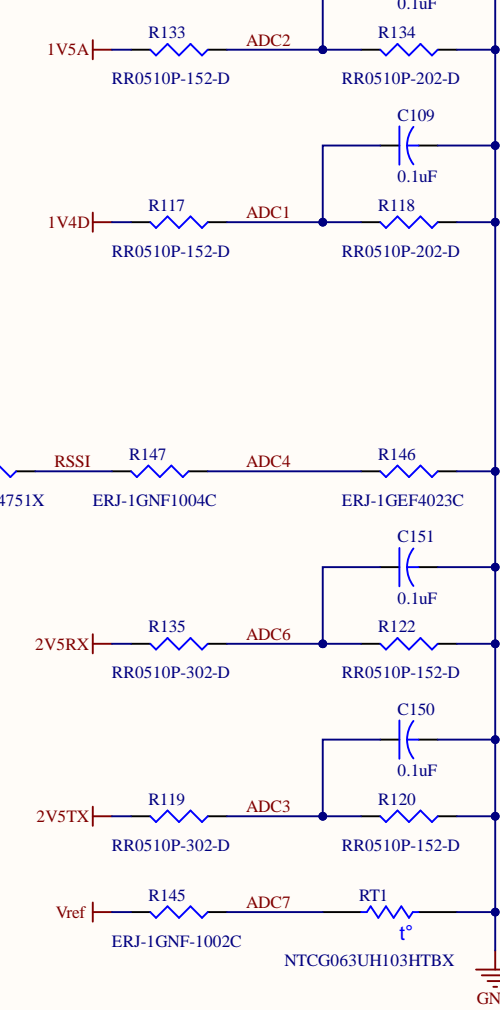
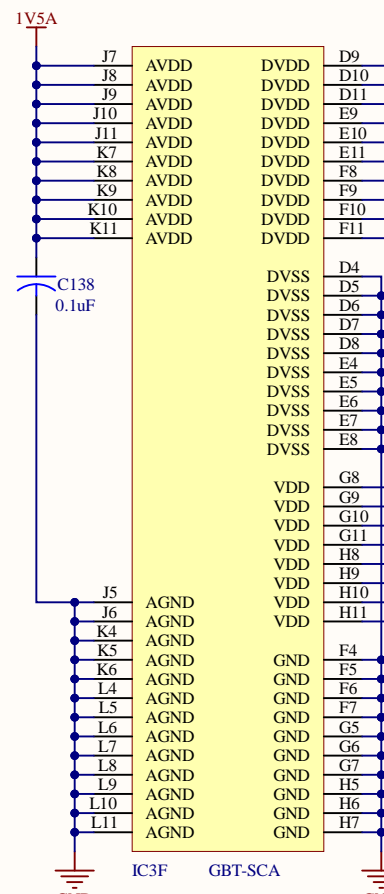
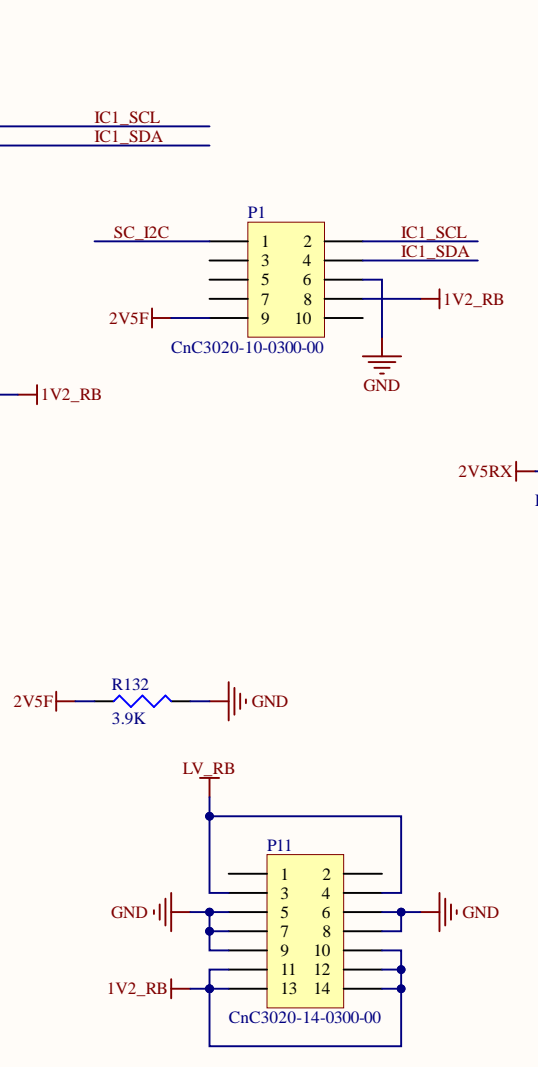
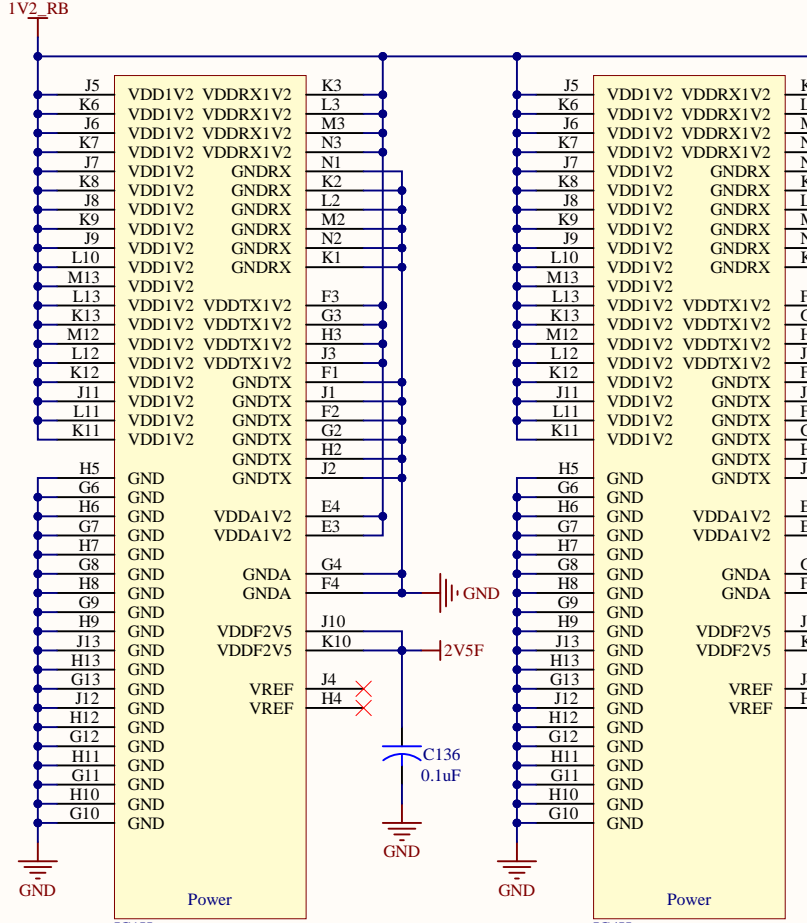
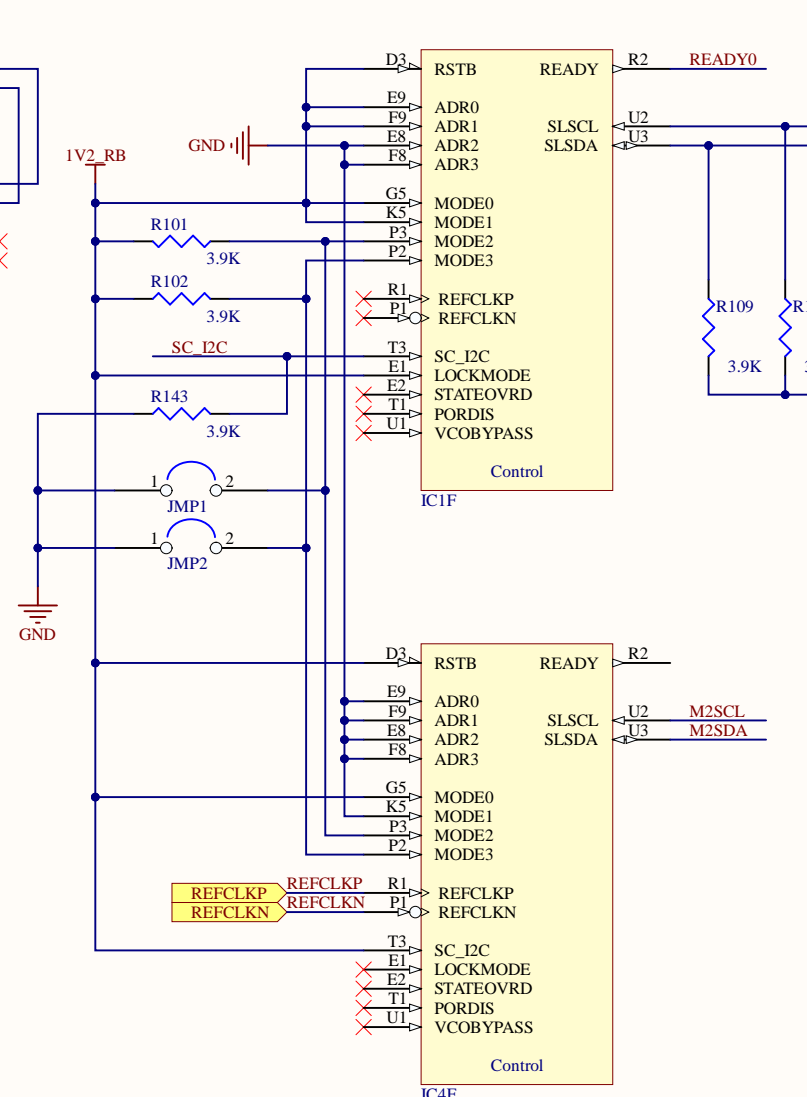
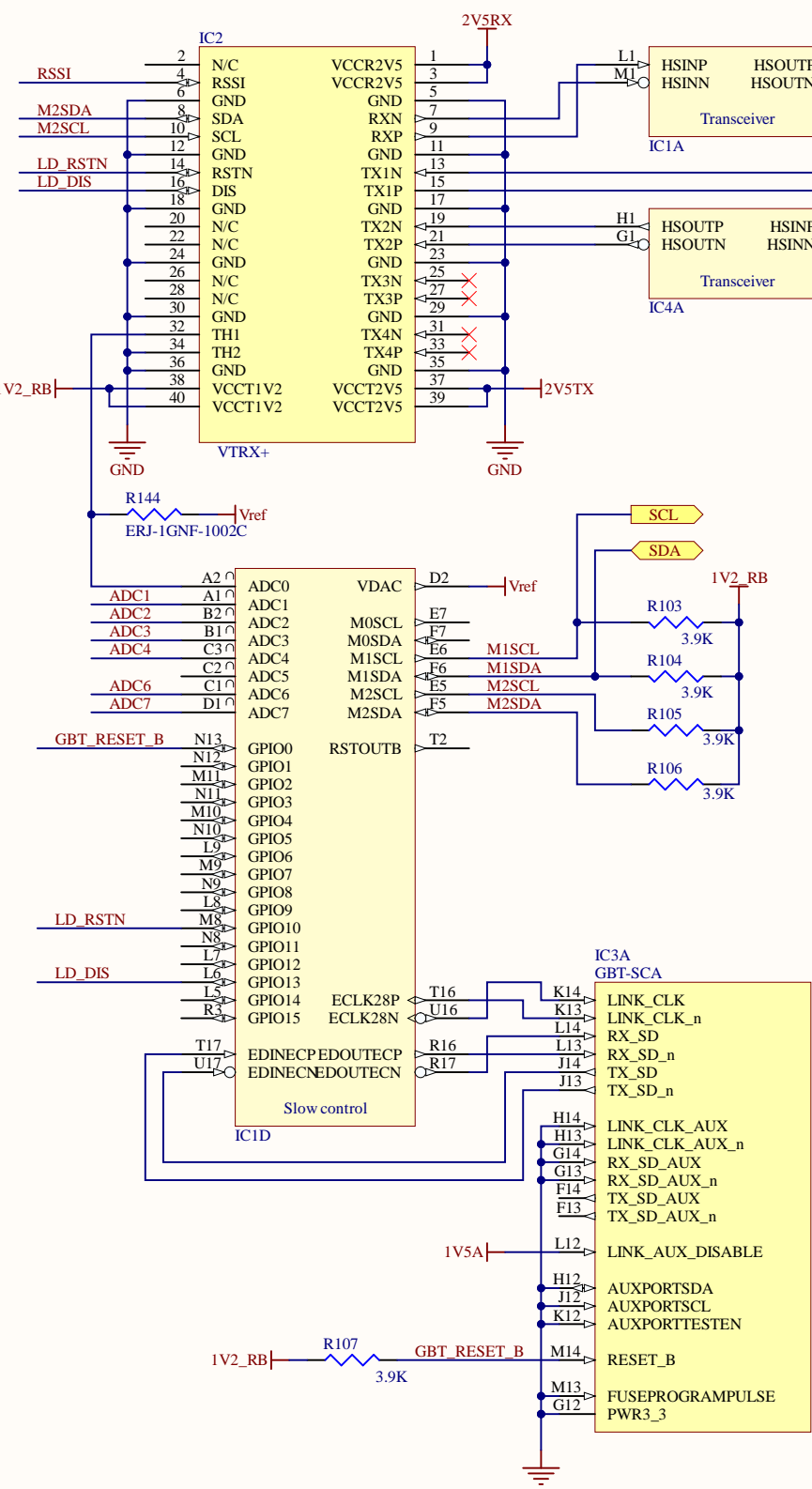


IC2 ADDR6, ADDR5 and ADDR4 of ETROC2 must not be all 0 or all 1  
pin 11 of P6, P8 and P10 sets ADDR2 of ETROC2  
pin 12 of P6, P8 and P10 sets ADDR3 of ETROC2  
ADDR1 and ADDR0 of ETROC2 are set on cover PCB of the module

When x is odd, 1V2\_monx connect to pin 1 of the odd Jx of the sensor module  
When x is even, 1V2\_monx connect to pin 1 of the even Jx of the sensor module  
A resistor of RR0510P-103D is needed on the module for 1V2\_monX  
After modules mounted on RB,  
First turn on 1V2B and 1V2D and make sure  
only 1V2\_mon0, 1V2\_mon2 and 1V2\_mon4 reads 1.2V.



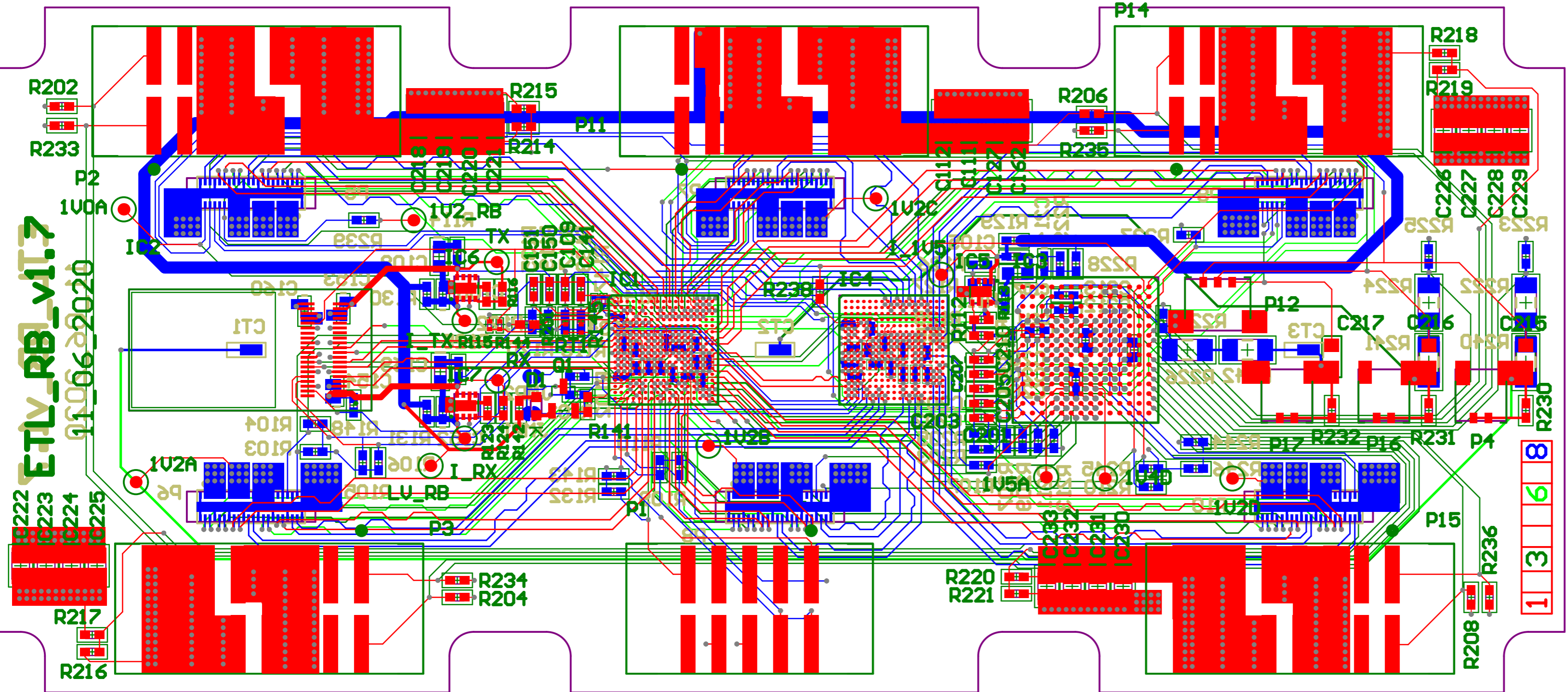
Module Connection		
Size	Number	Revision
C		1.7
Date:	11/10/2020	Sheet 2 of 2
File:	D:\tmp\WP7B.SchDoc	Drawn By: S. X. Wu



Title			ipGBT		
Size	Number			Revision	1.7
C					
Date:	11/10/2020	Sheet	of	2	
File:	D:\projects\ETL_RB\ipGBT.SchDoc	Drawn By:	S. X. Wu		

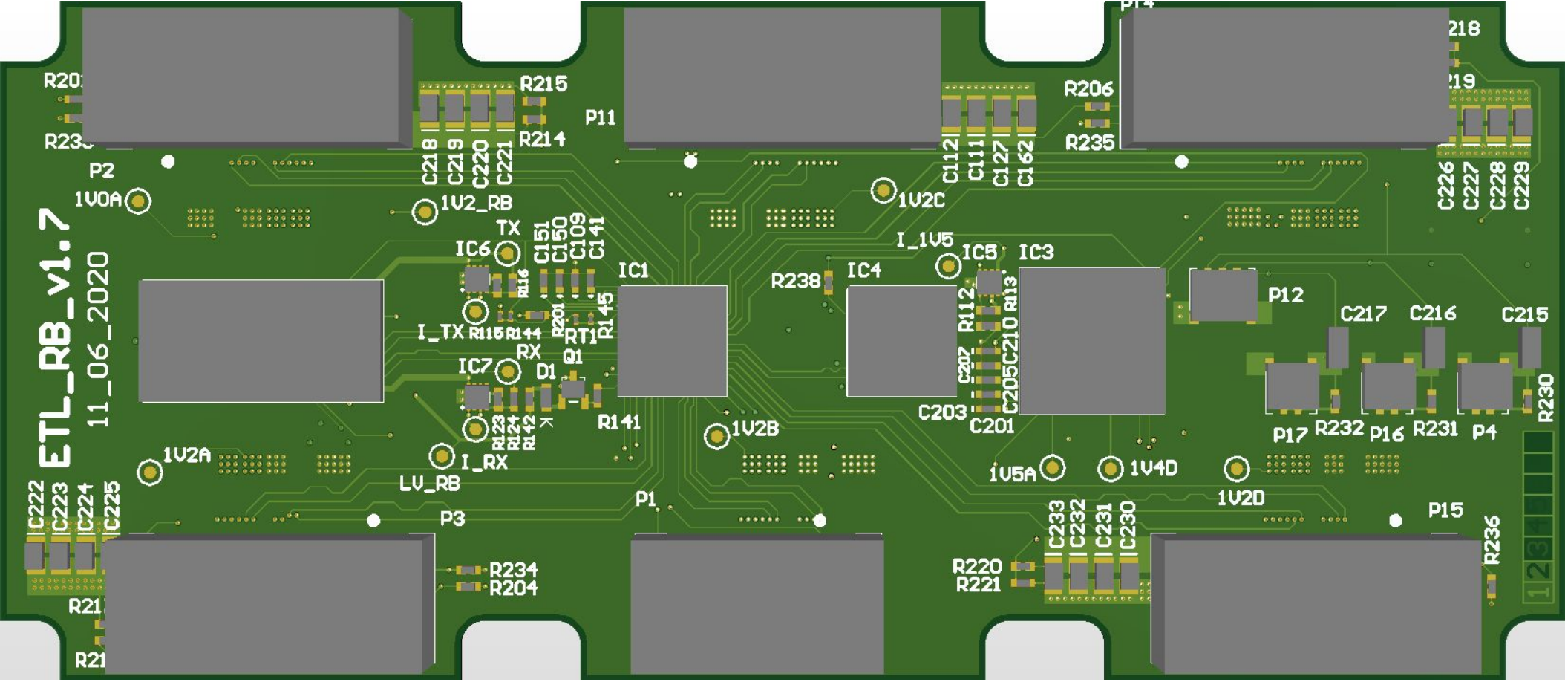
# ETLV\_RB\_V1.7

11.06.2020

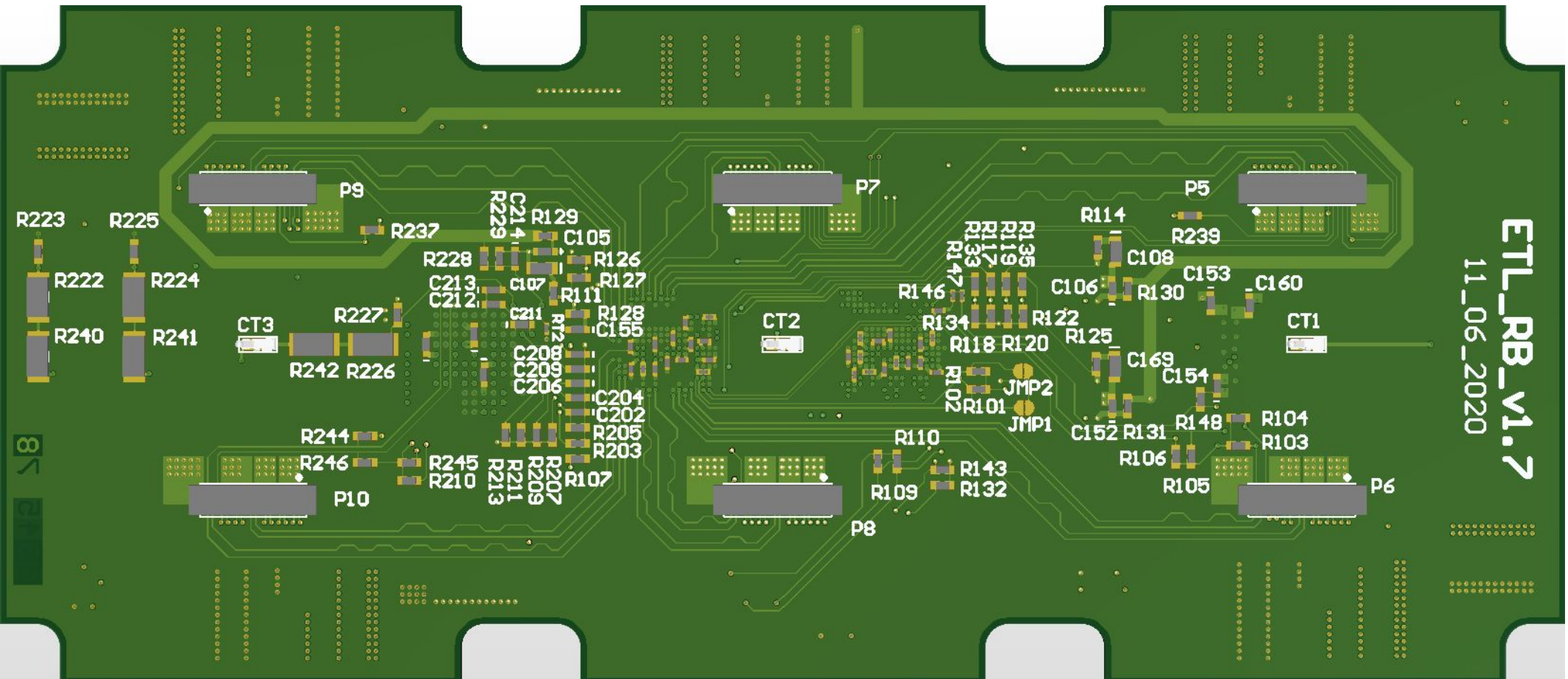


1 3 6 8 R230

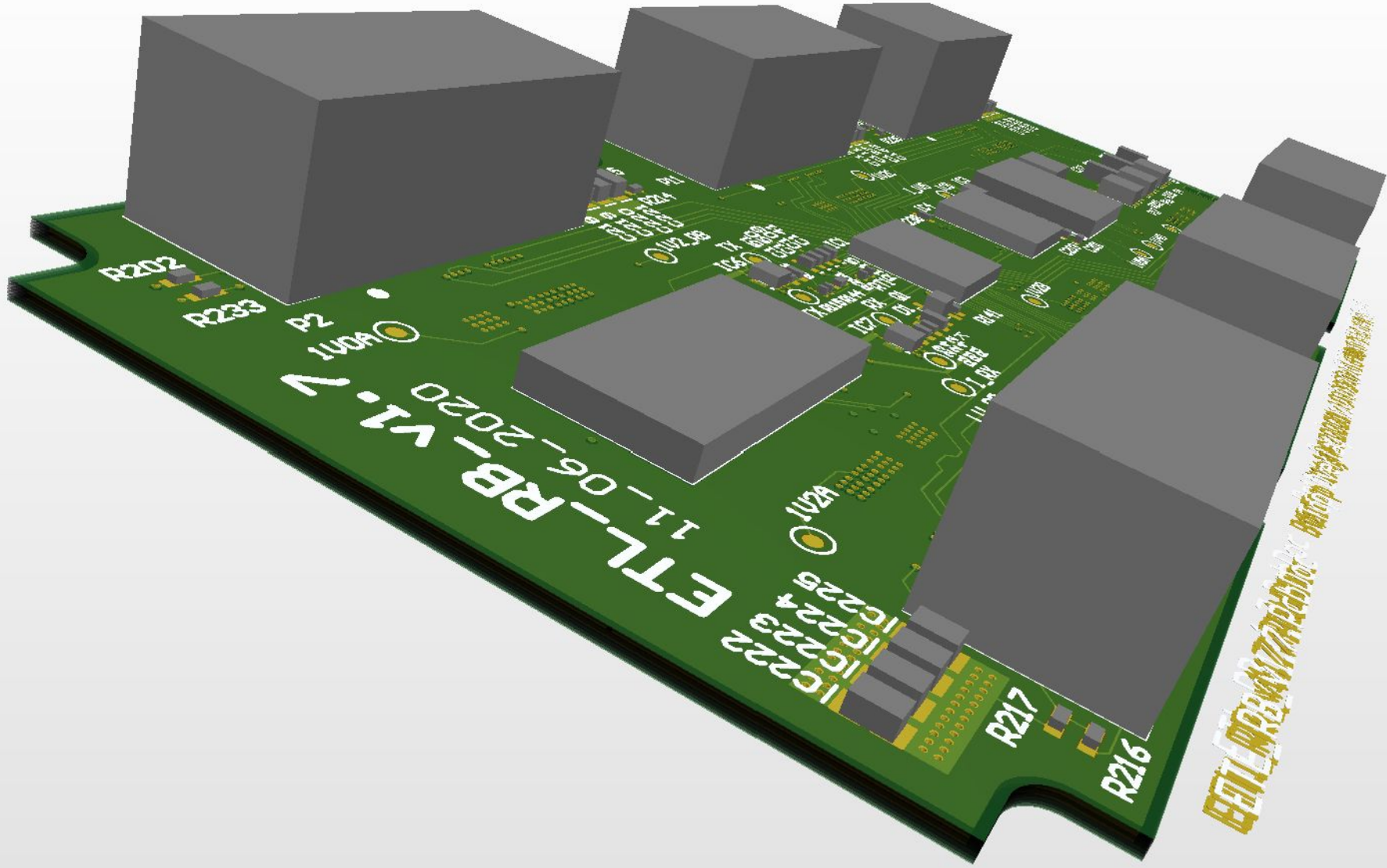
ETL\_RB\_v1.7  
11\_06\_2020



ETL\_RB\_v1.7  
11\_06\_2020



87



ENTER YOUR NAME HERE

