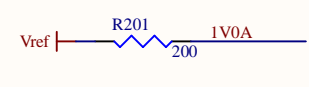
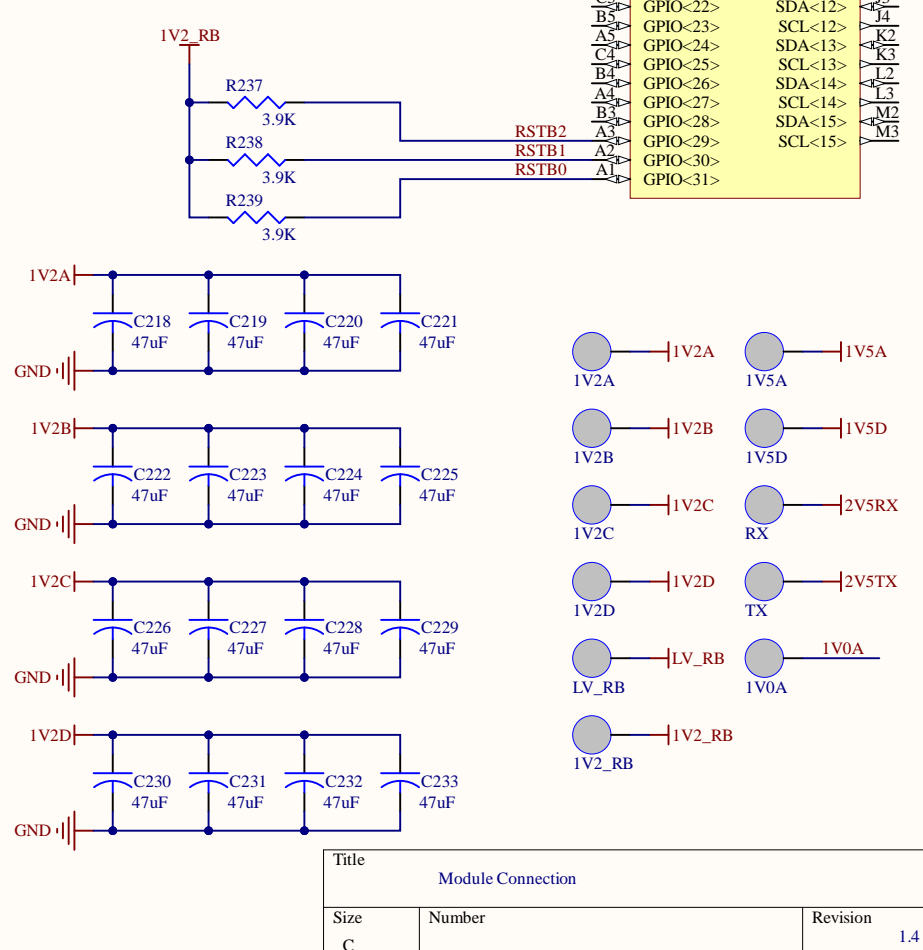
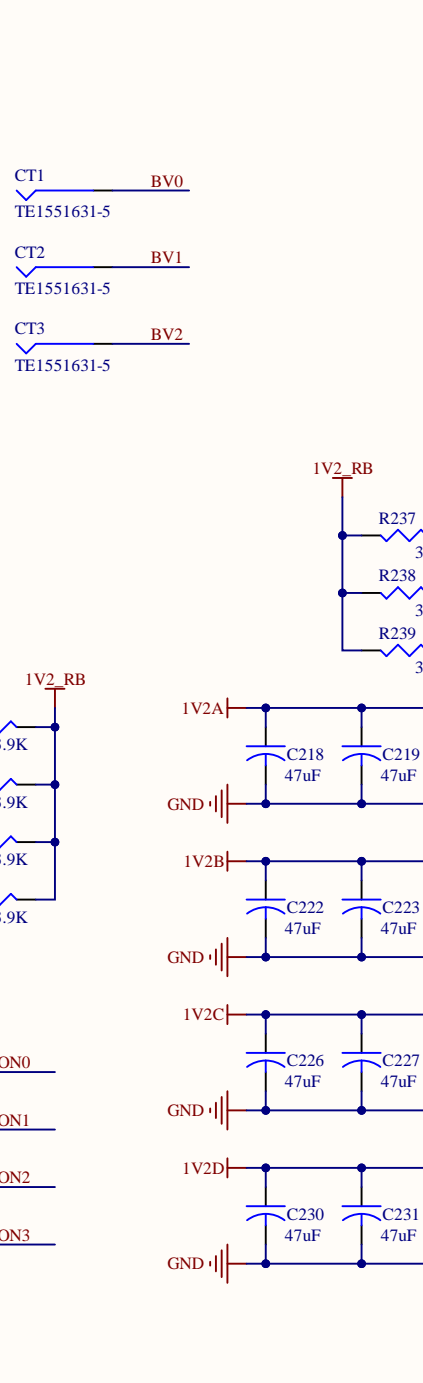
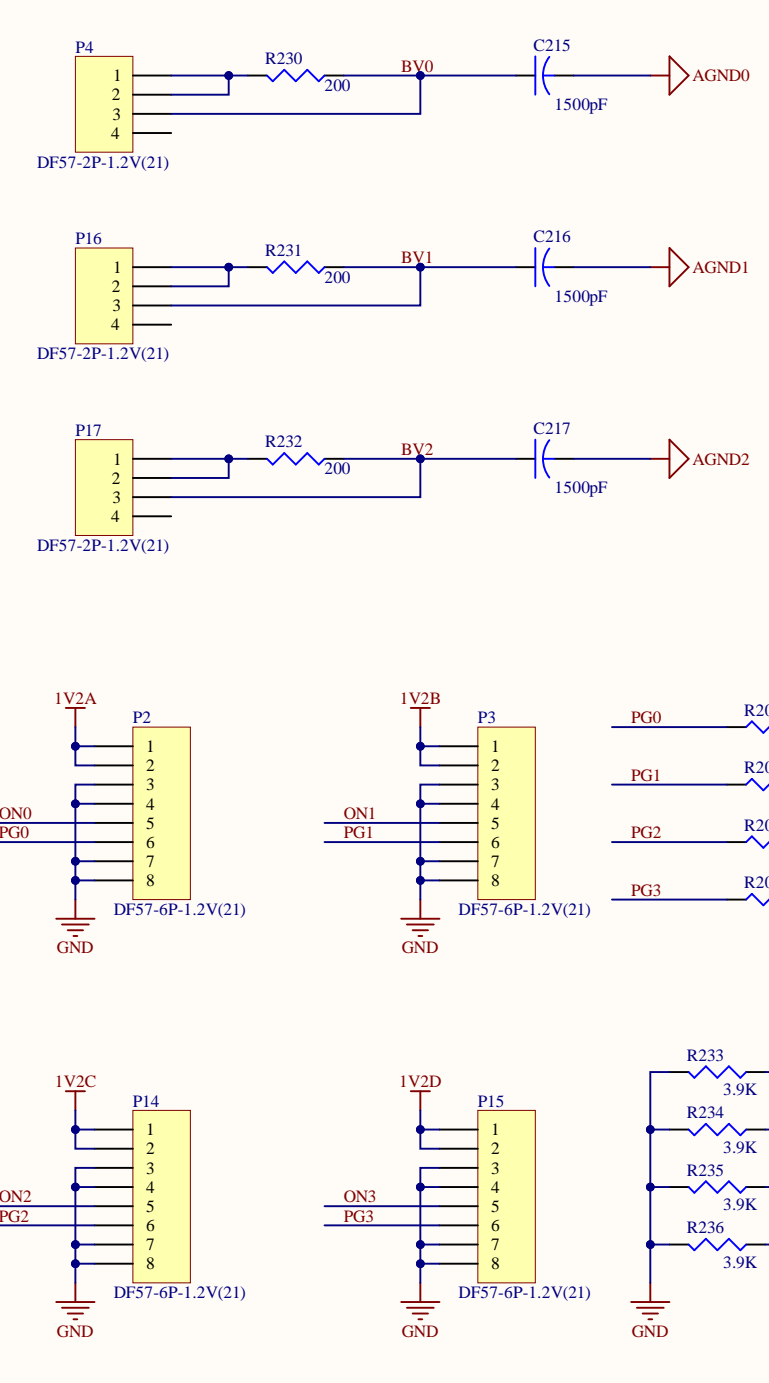
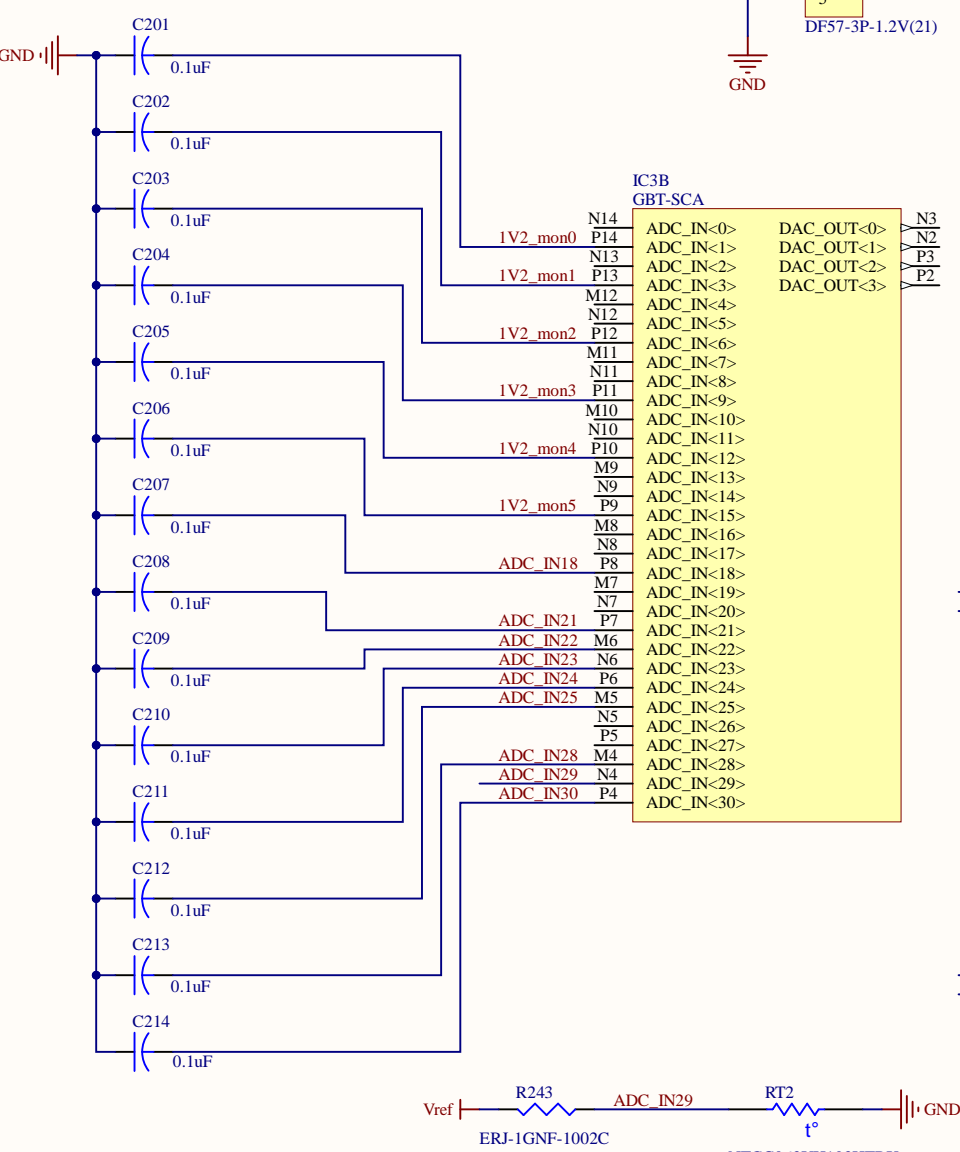
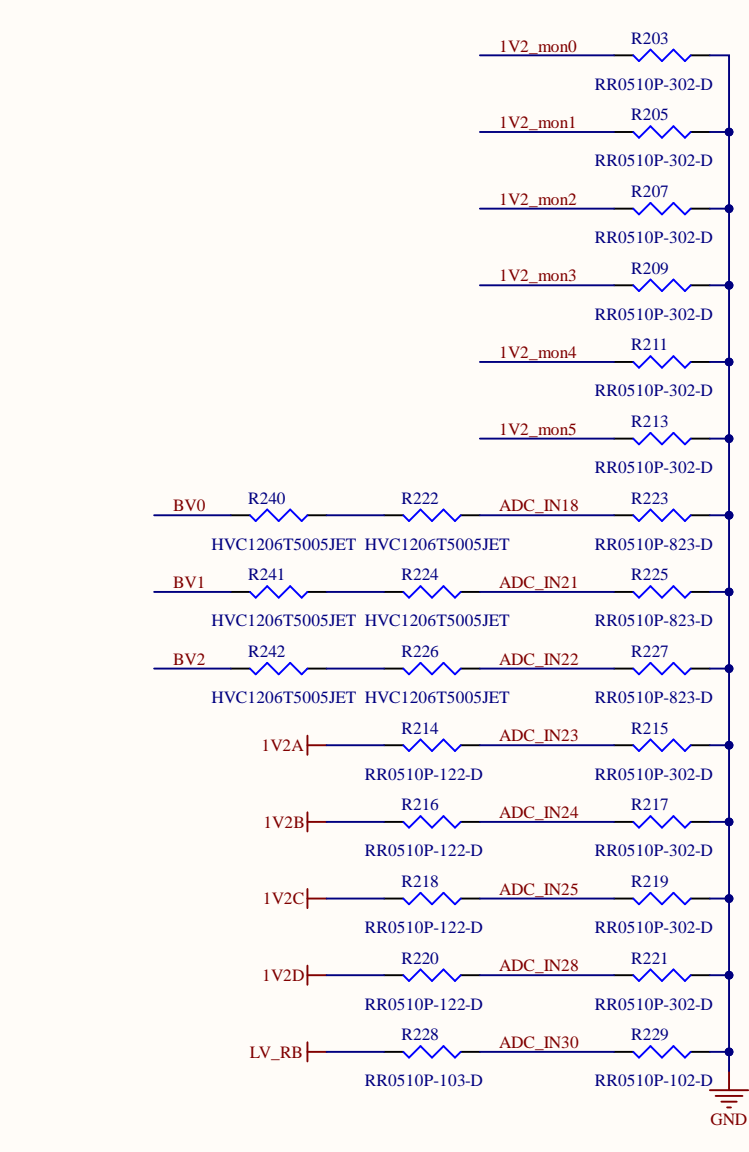
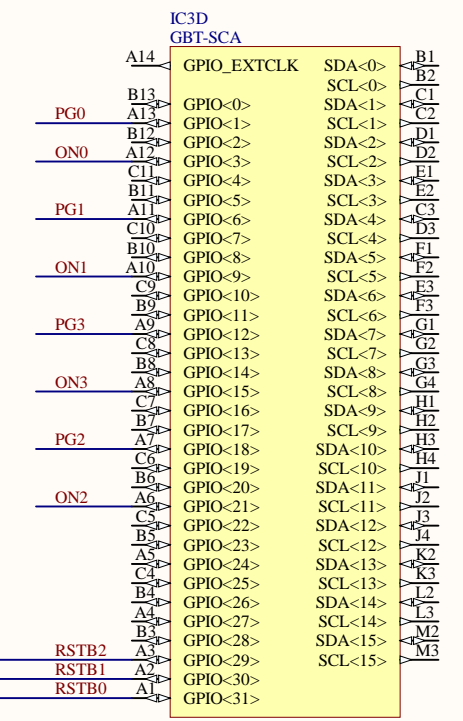


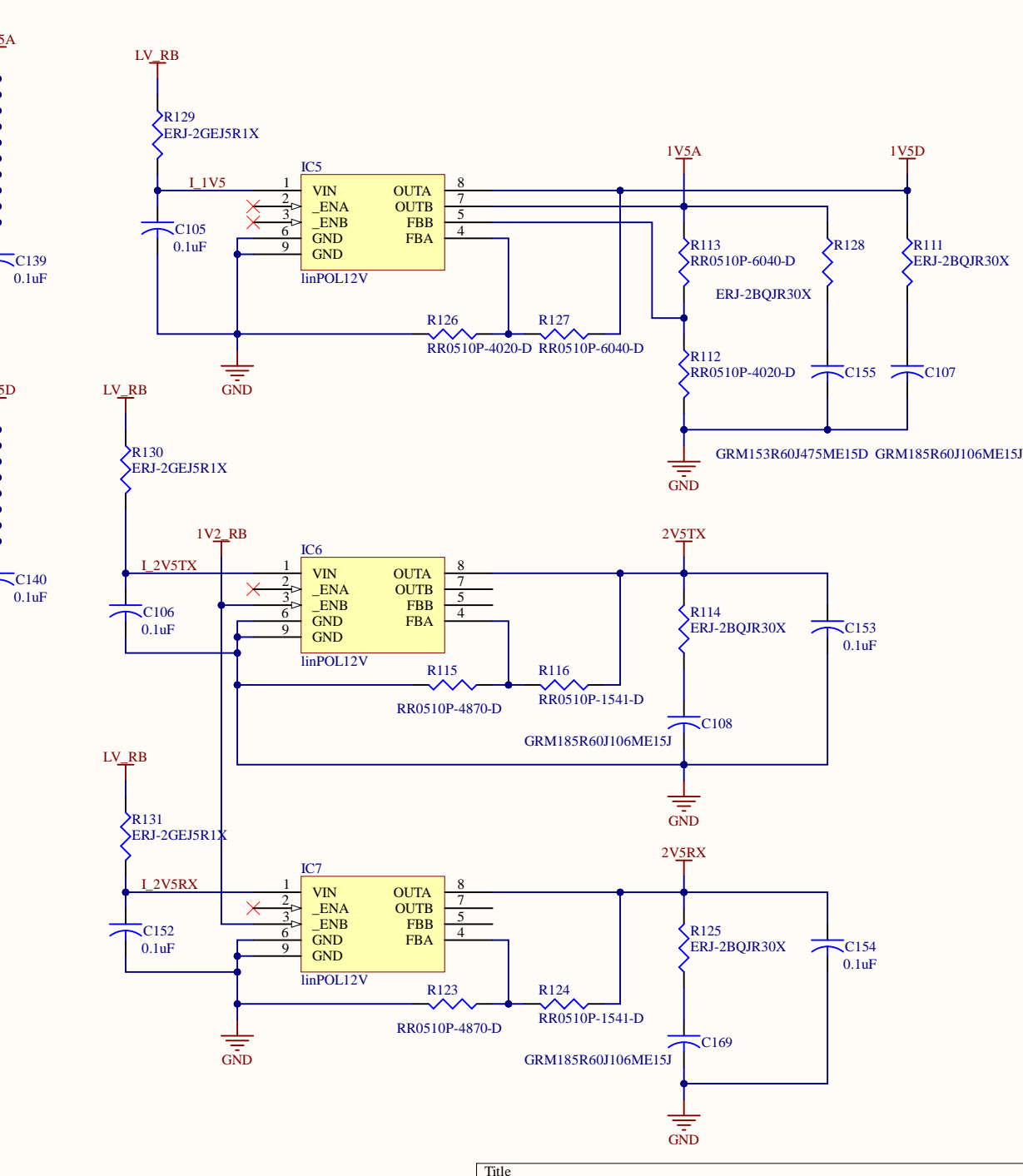
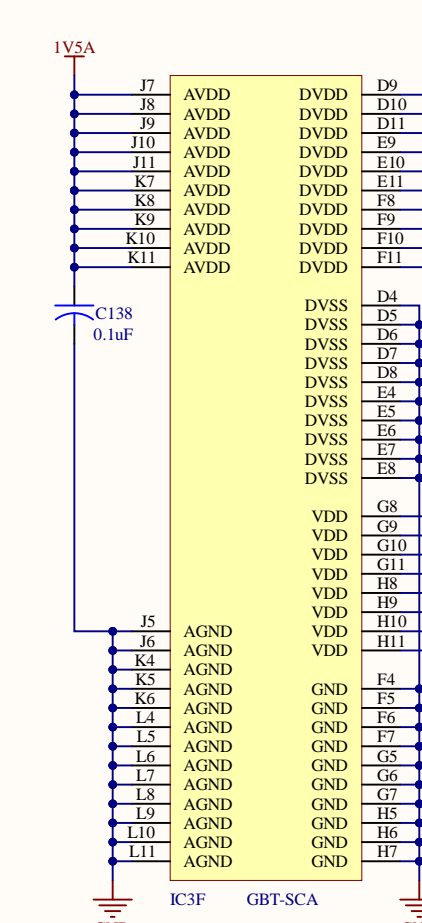
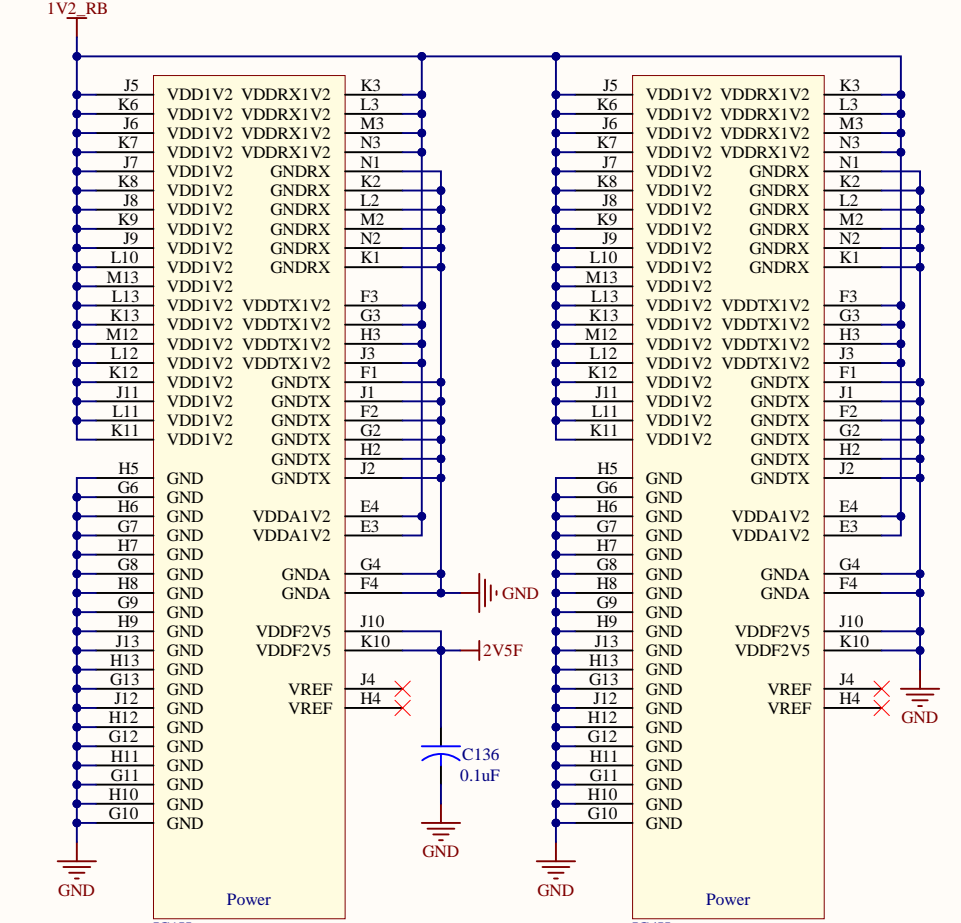
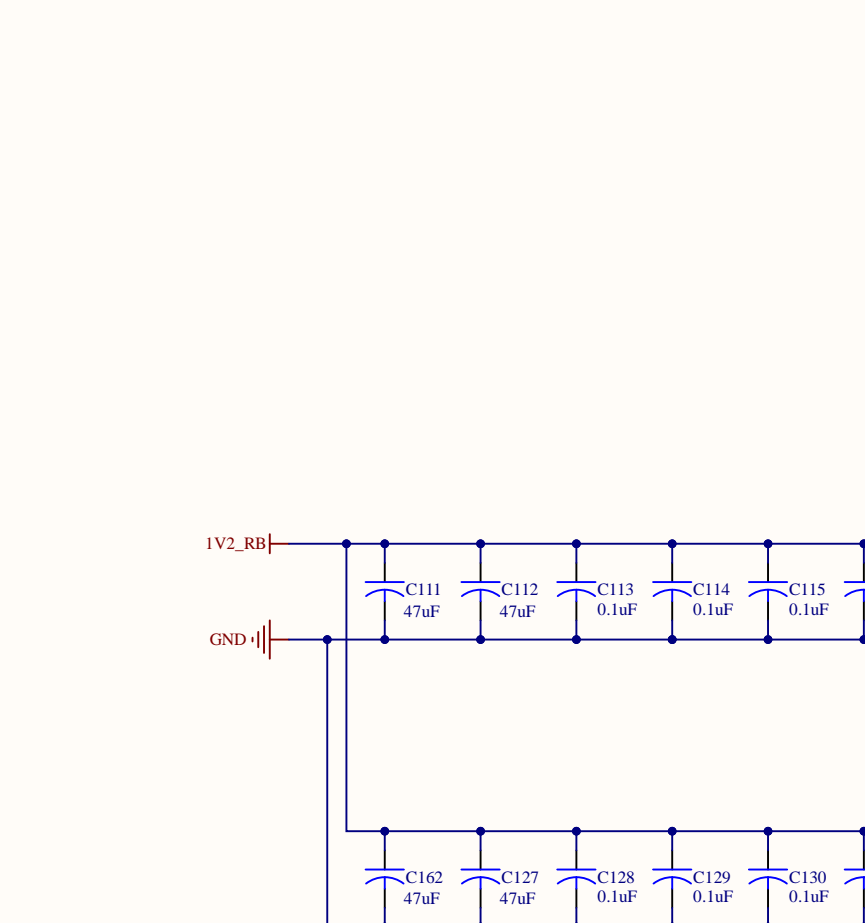
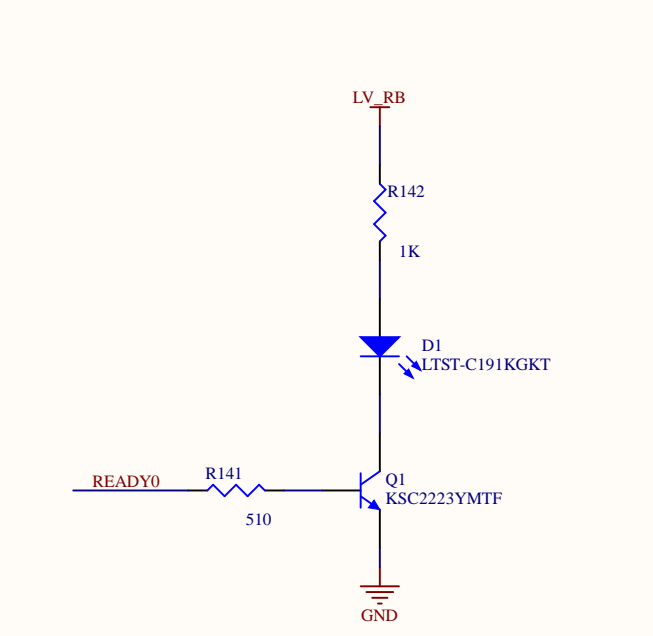
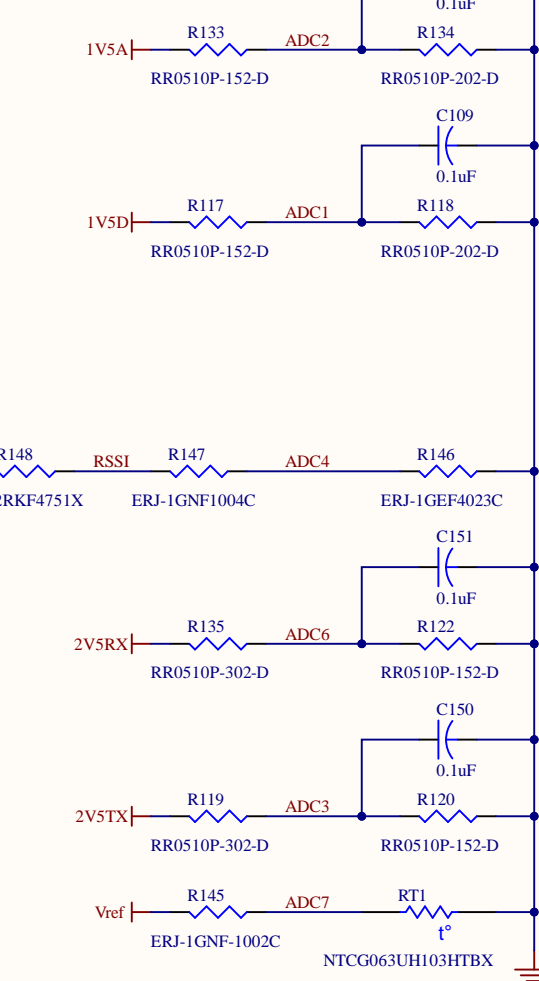
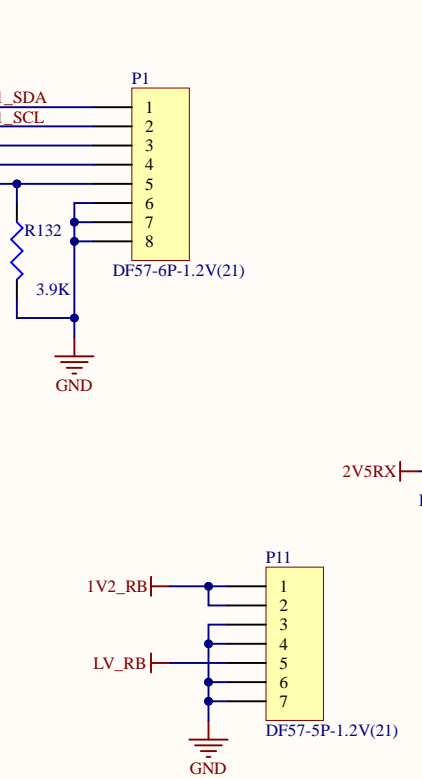
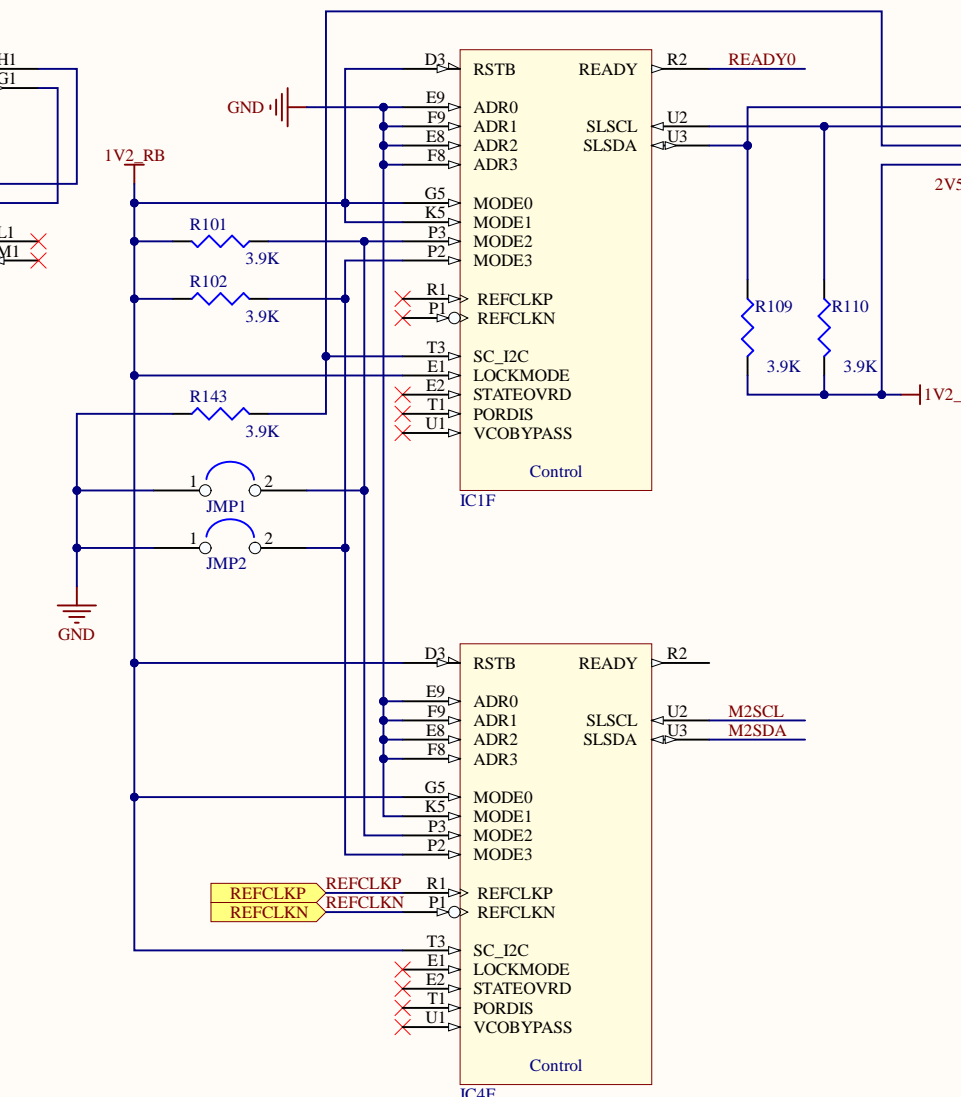
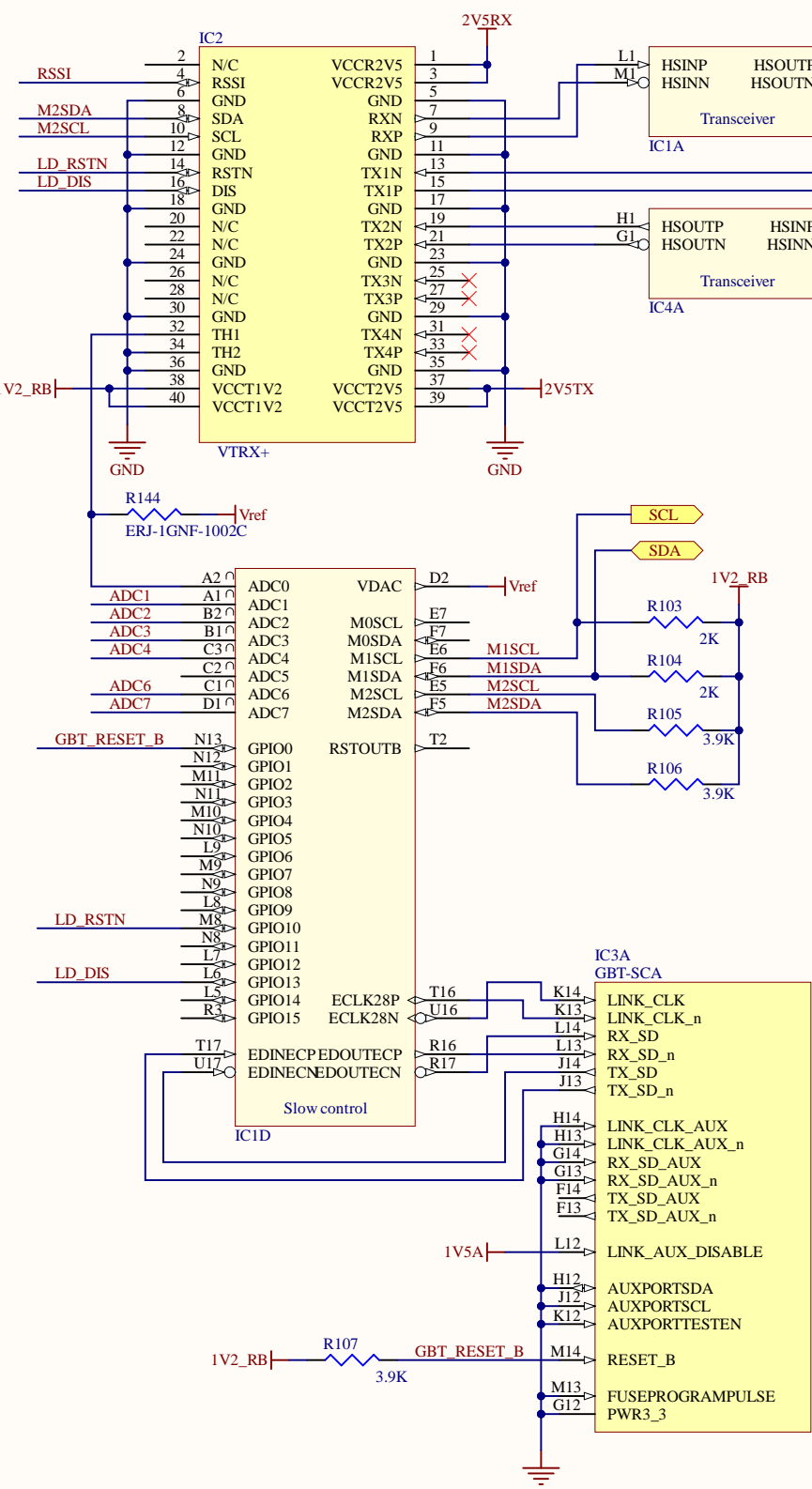
When x is odd, 1V2\_monx connect to pin 1 of the odd Jx of the sensor module  
 When x is even, 1V2\_monx connect to pin 1 of the even Jx of the sensor module  
 A resistor of RR0510P-103D is needed on the module for 1V2\_monX  
 After modules mounted on RB,  
 First turn on 1V2B and 1V2D and make sure  
 only 1V2\_mon0, 1V2\_mon2 and 1V2\_mon4 reads 1.2V.



IC2 ADDR6, ADDR5 and ADDR4 of ETROC2 must not be all 0 or all 1  
 pin 11 of P6, P8 and P10 sets ADDR2 of ETROC2  
 pin 12 of P6, P8 and P10 sets ADDR3 of ETROC2  
 ADDR1 and ADDR0 of ETROC2 are set on cover PCB of the module



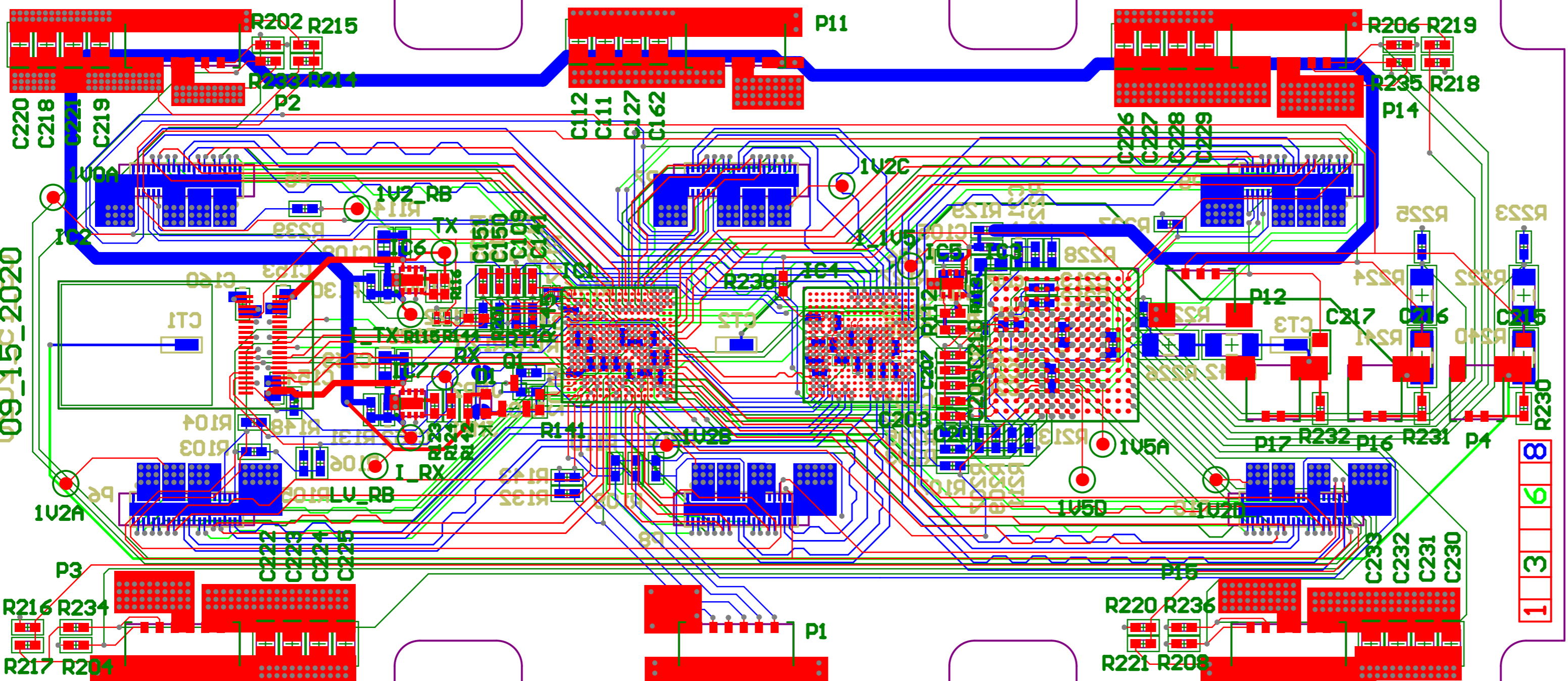
Title			Module Connection
Size	Number	Revision	
C		1.4	
Date:	9/16/2020	Sheet	2 of 2
File:	D:\tmp\WP7B.SchDoc	Drawn By:	S. X. Wu



Title		
ipGBT		
Size	Number	Revision
C		1.4
Date:	9/16/2020	Sheet of 2
File:	D:\projects\ETL_RB\ipGBT.SchDoc	Drawn By: S. X. Wu

# ETLV\_RB\_V1.4

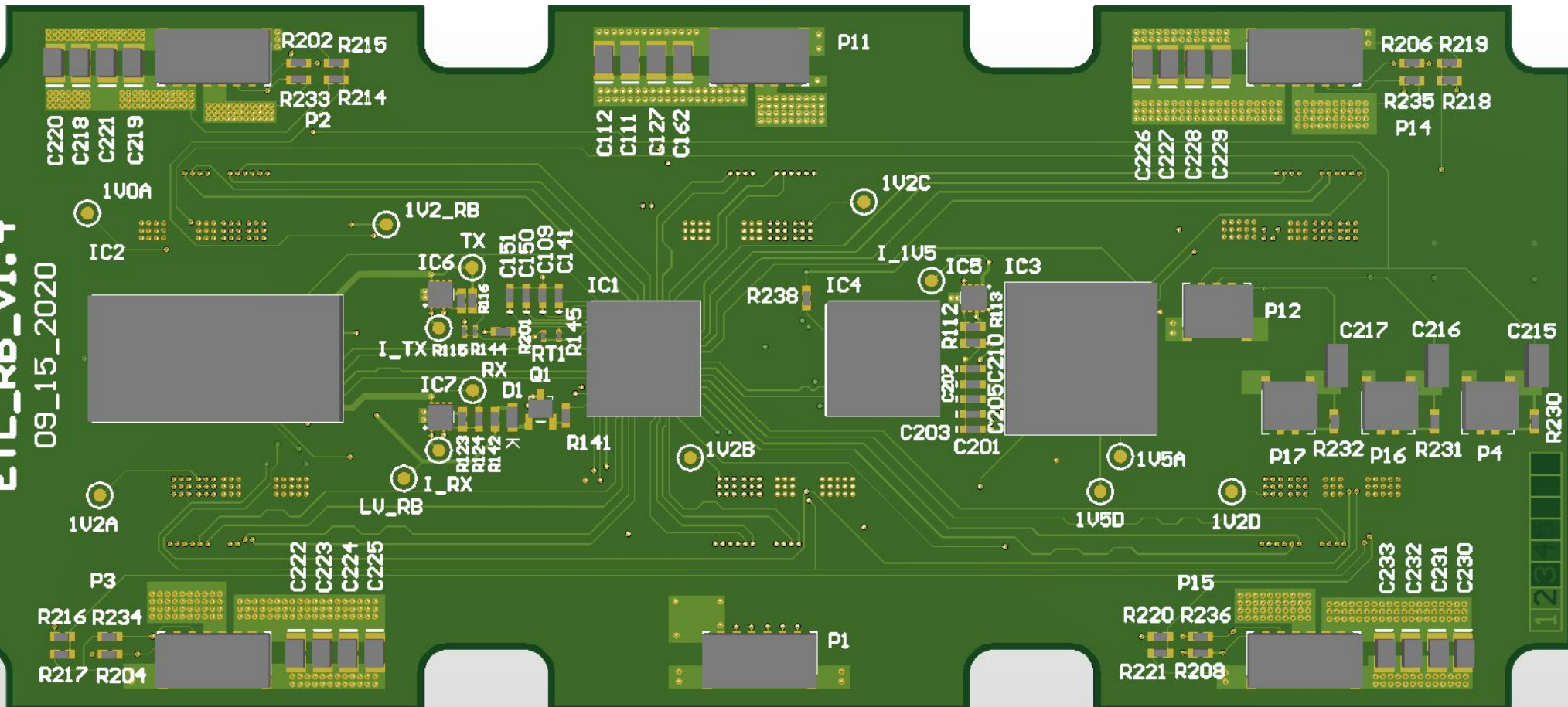
09\_15\_2020



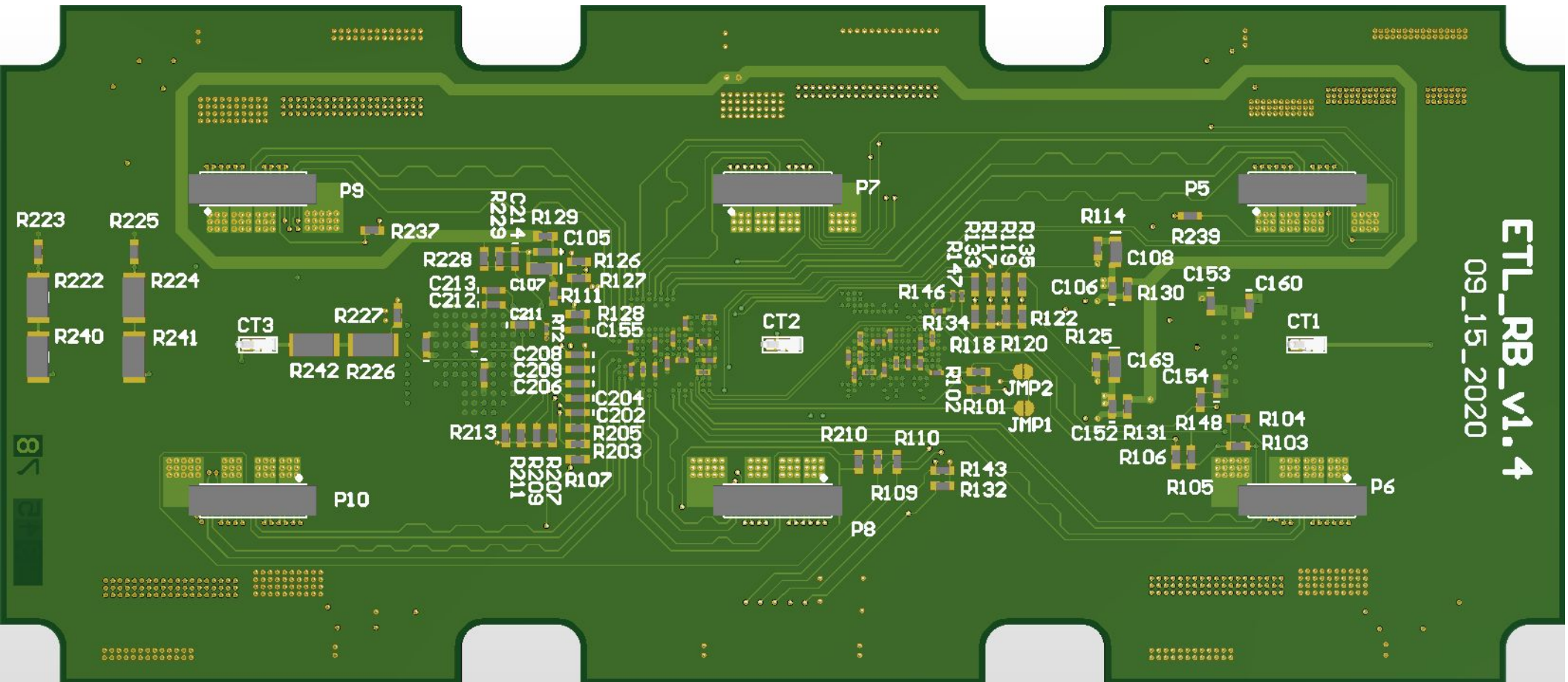
1 3 6 8

# ETL\_RB\_v1.4

09\_15\_2020

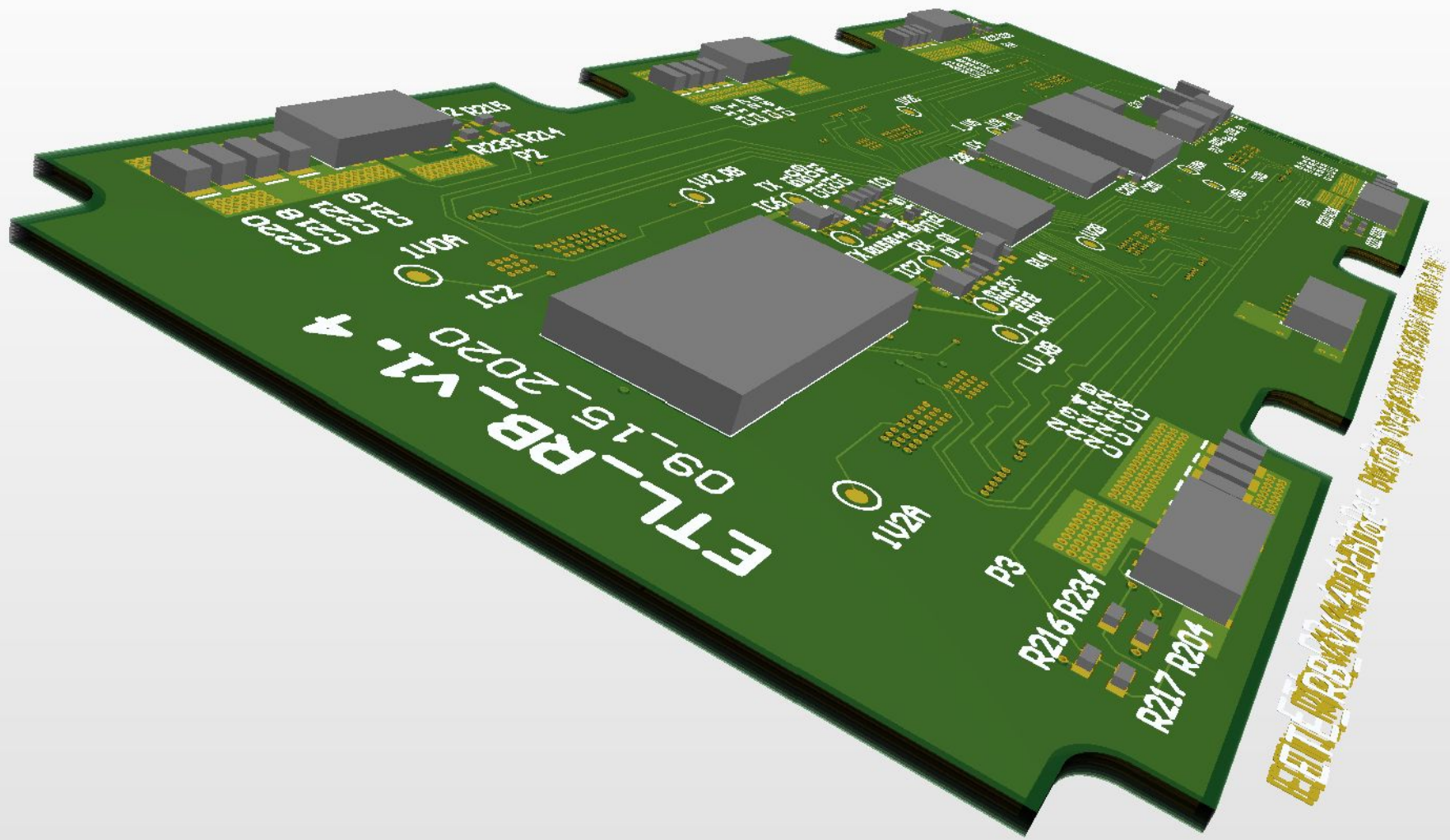


126



ETL\_RB\_v1.4  
09\_15\_2020

87



FTL-RB-V1.4  
09\_15\_2020

