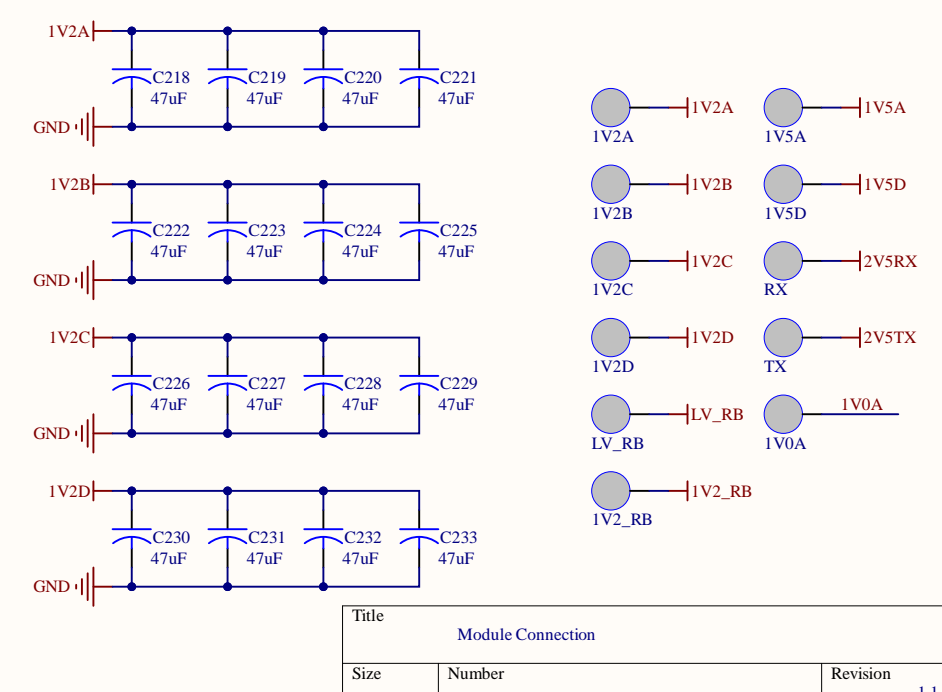
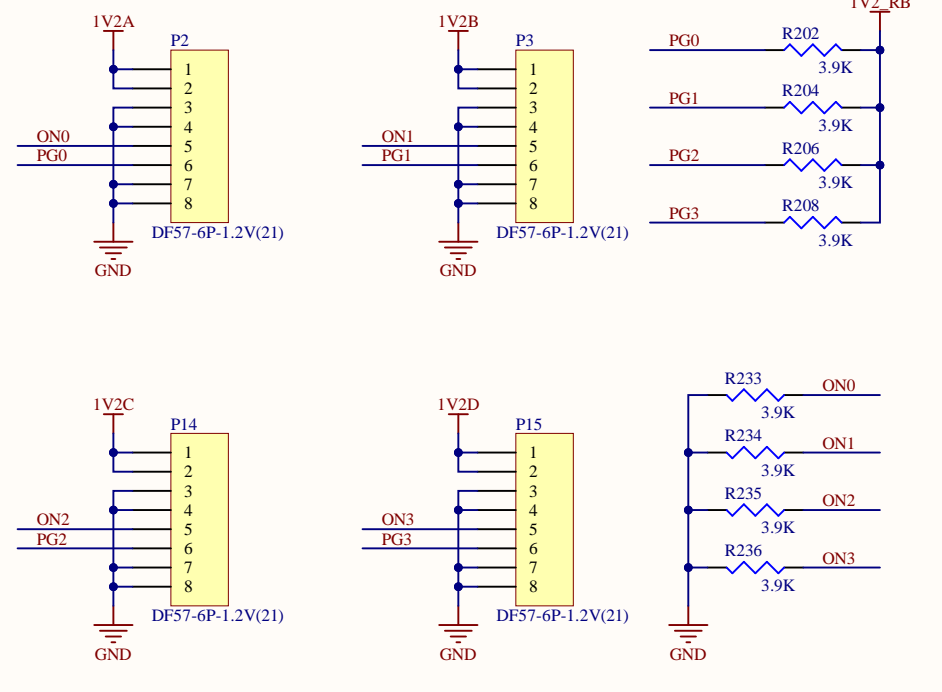
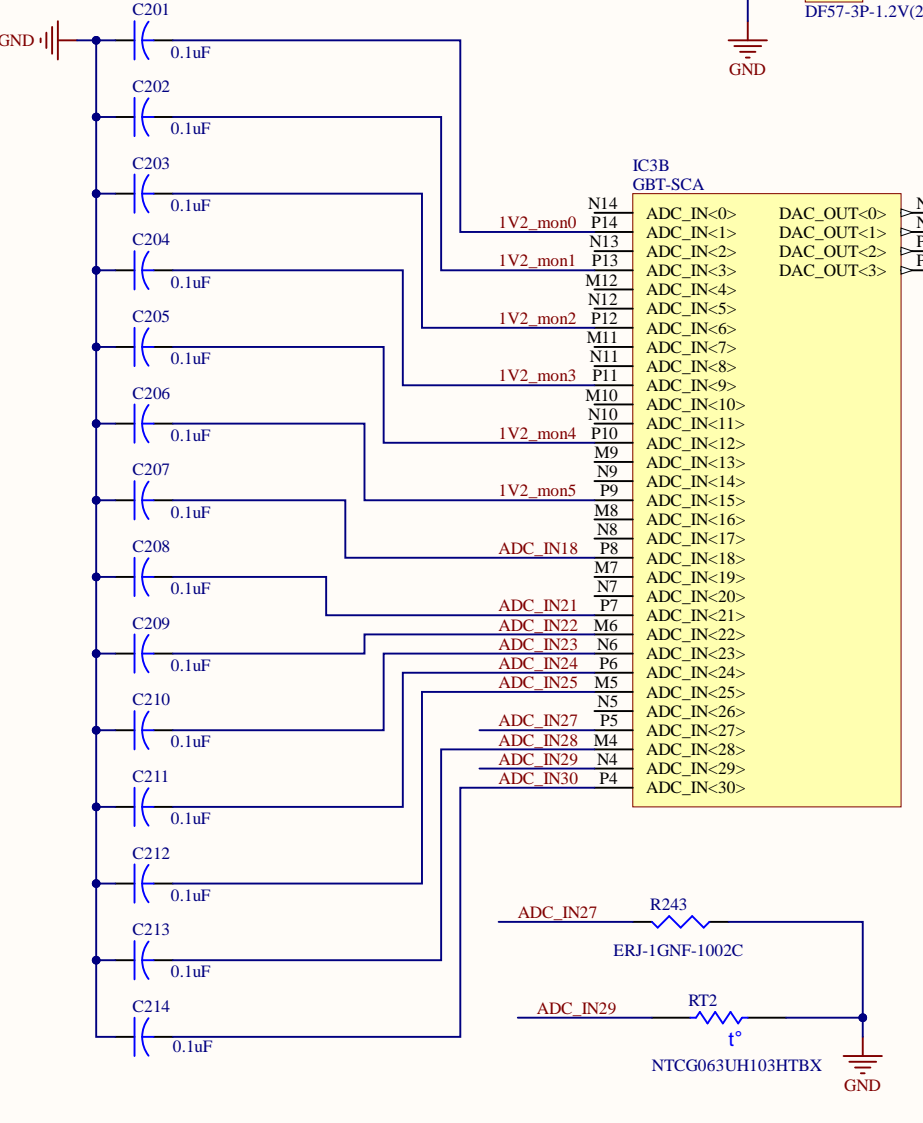
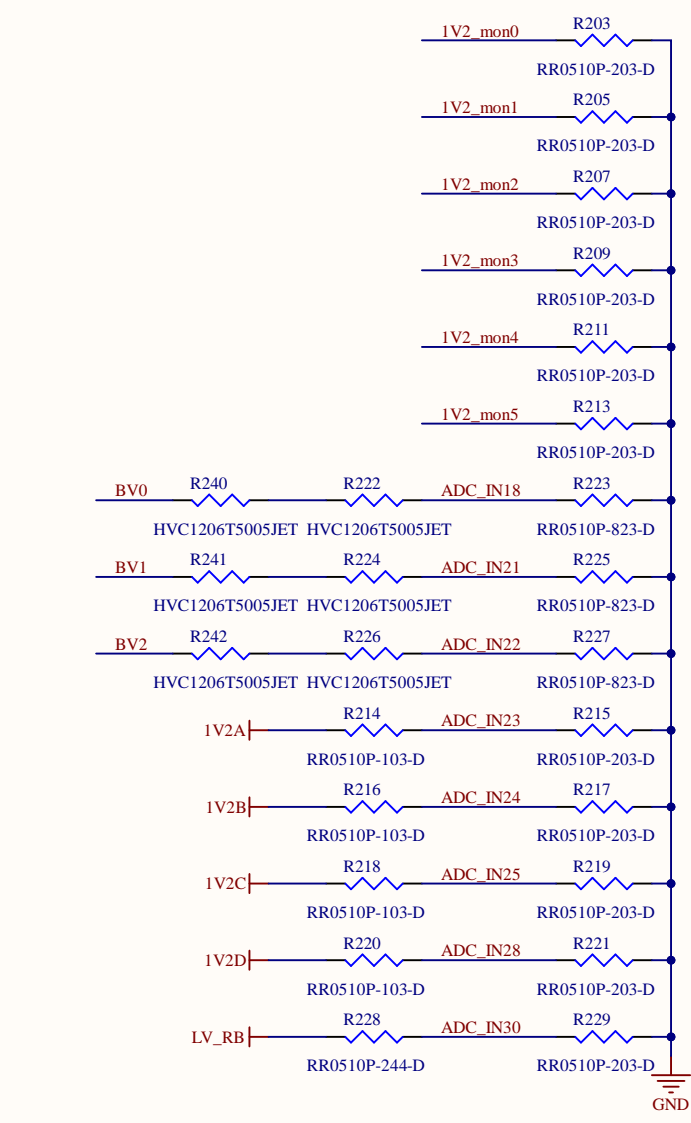
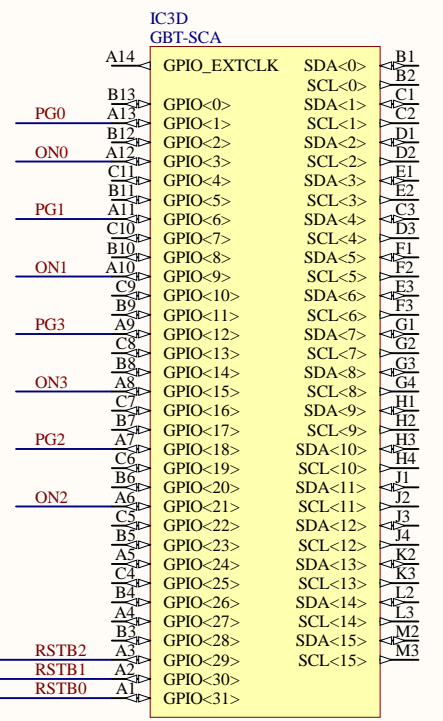
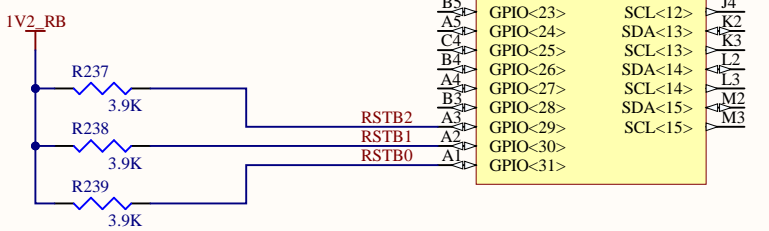
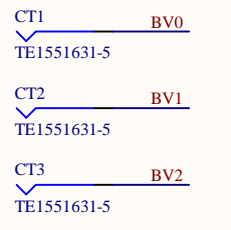
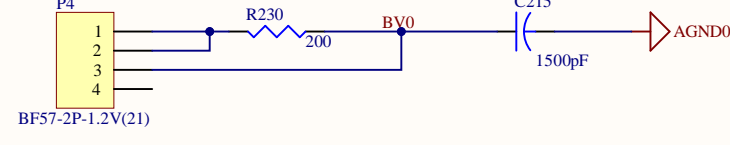
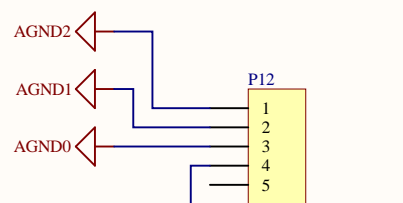
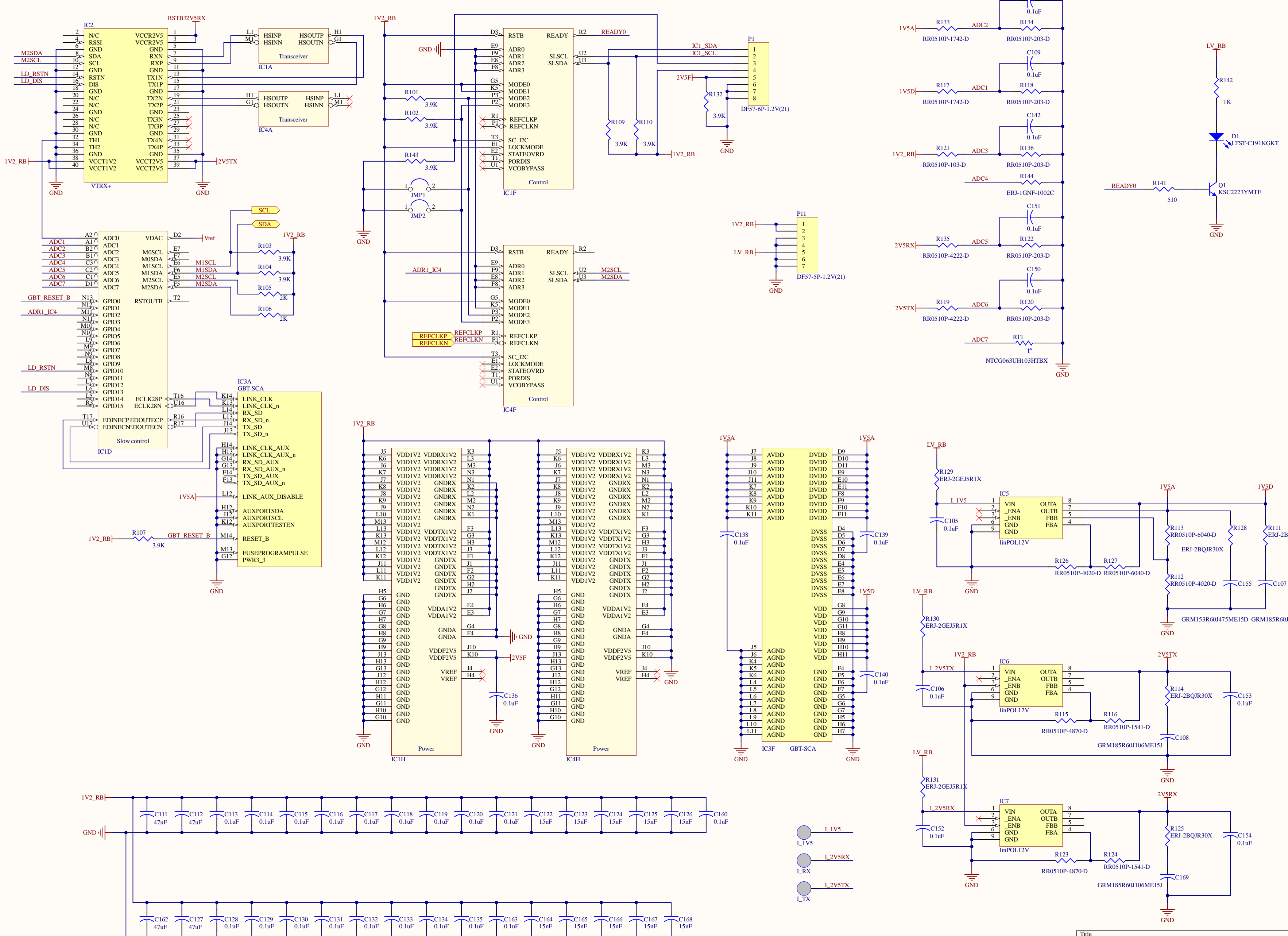


IC2 ADDR6, ADDR5 and ADDR4 of ETROC2 must not be all 0 or all 1
 pin 11 of P6, P8 and P10 sets ADDR2 of ETROC2
 pin 12 of P6, P8 and P10 sets ADDR3 of ETROC2
 ADDR1 and ADDR0 of ETROC2 are set on cover PCB of the module

When x is odd, 1V2_monx connect to pin 1 of the odd Jx of the sensor module
 When x is even, 1V2_monx connect to pin 1 of the even Jx of the sensor module
 A resistor of RR0510P-103D is needed on the module for 1V2_monX
 After modules mounted on RB,
 First turn on 1V2B and 1V2D and make sure
 only 1V2_mon0, 1V2_mon2 and 1V2_mon4 reads 1.2V.



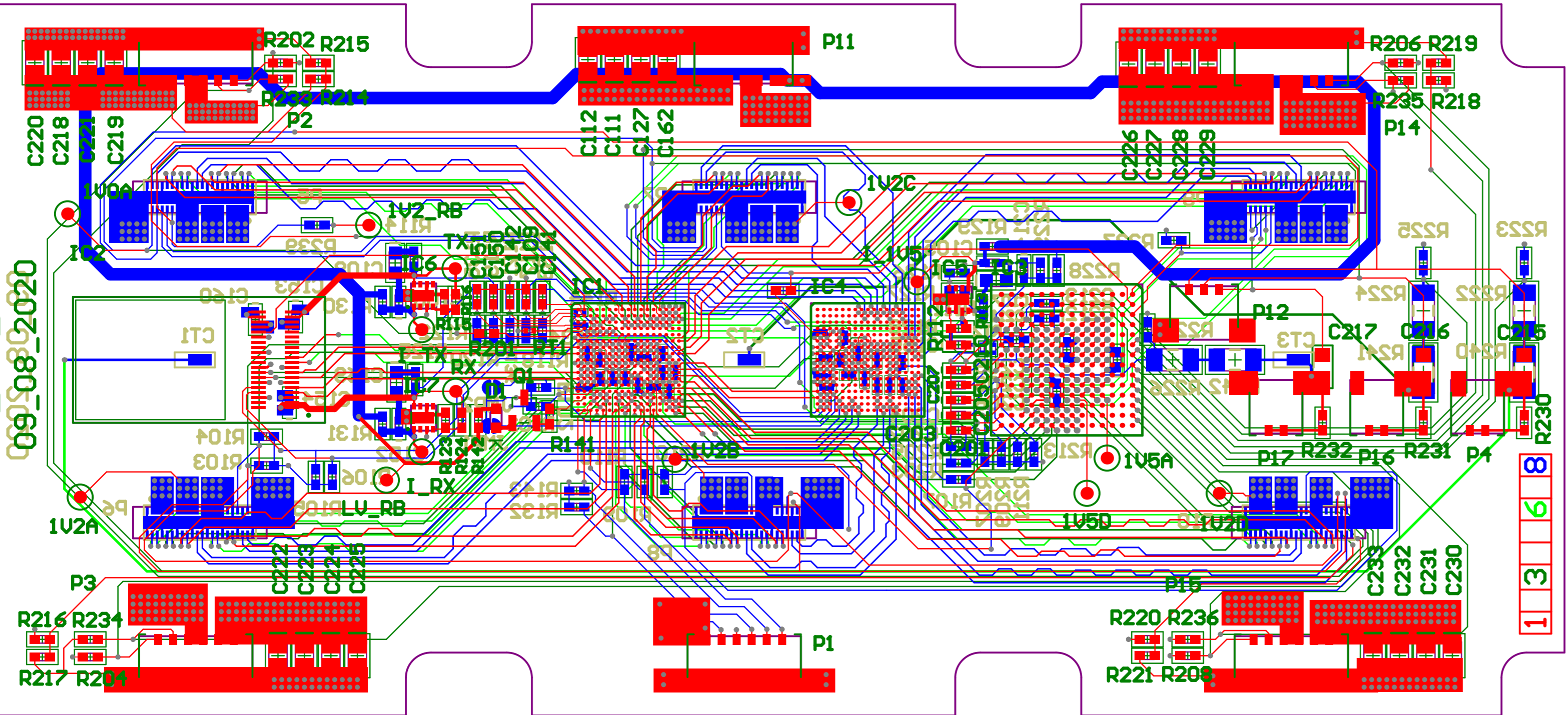
Title			Module Connection		
Size	C	Number	Revision	1.1	
Date:	9/08/2020		Sheet	2 of 2	
File:	D:\tmp\WP7B.SchDoc		Drawn By:	S. X. Wu	



Title		
lpGBT		
Size	Number	Revision
C		1.1
Date:	9/08/2020	Sheet of 2
File:	D:\projects\ETL_RB\lpGBT.SchDoc	Drawn By: S. X. Wu

ETLV_RB_V1.1

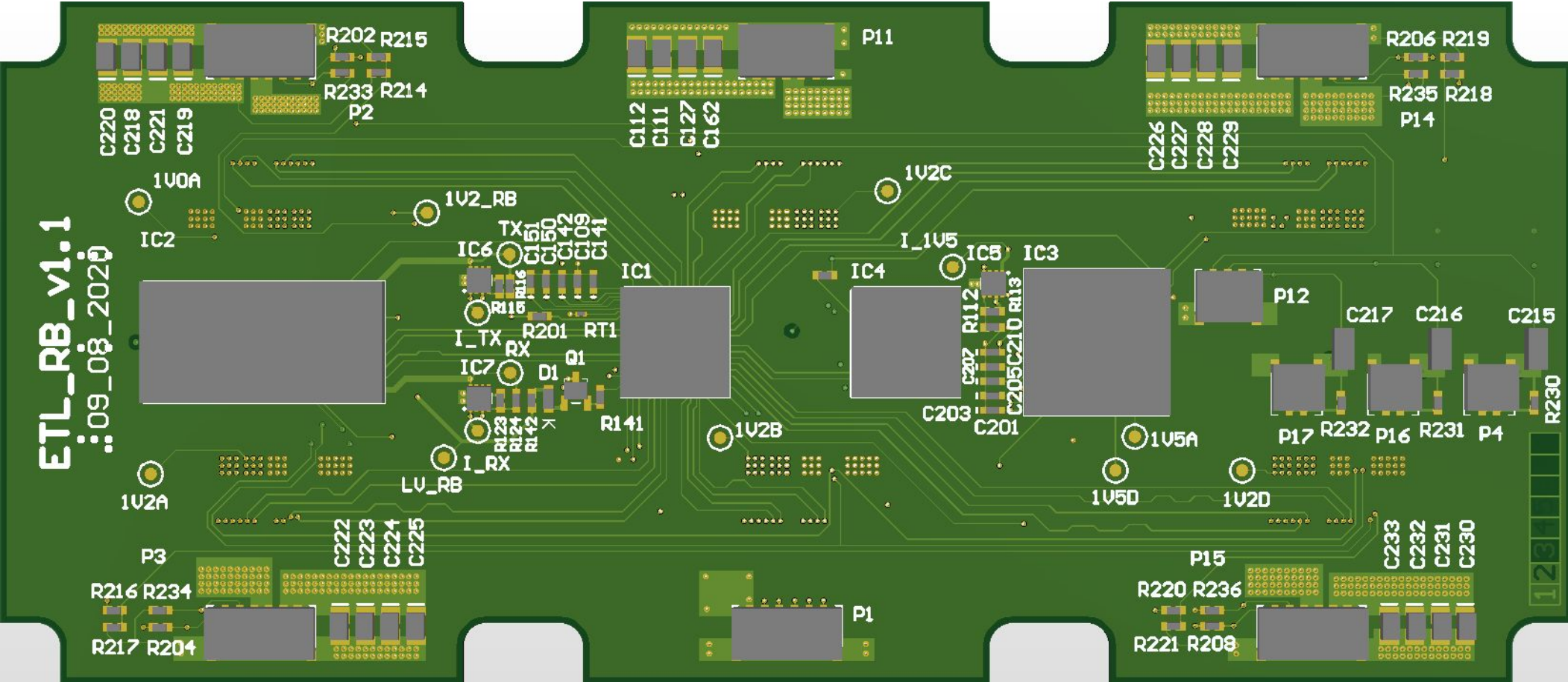
09_08_2020

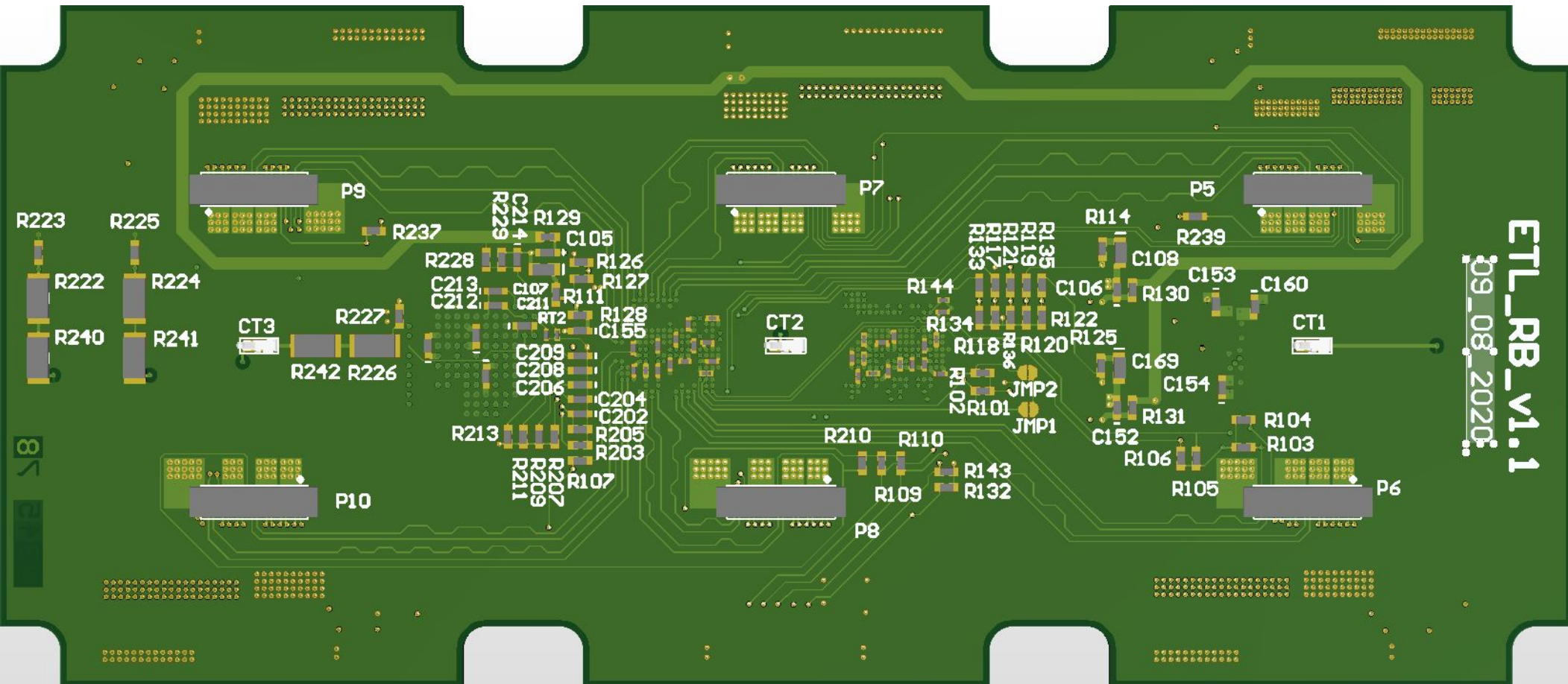


1 3 6 8 R230

ETL_RB_v1.1

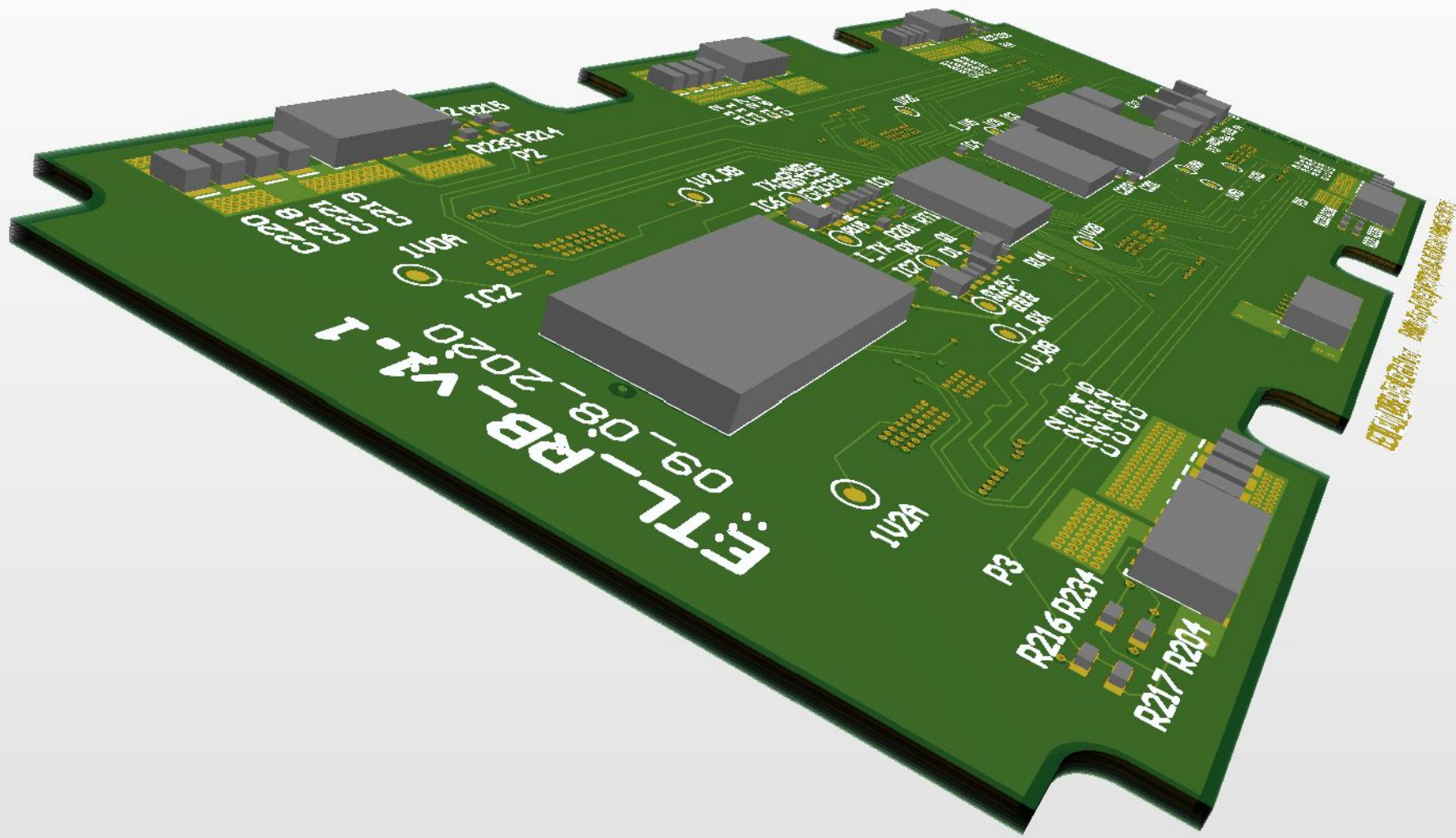
09_08_2020

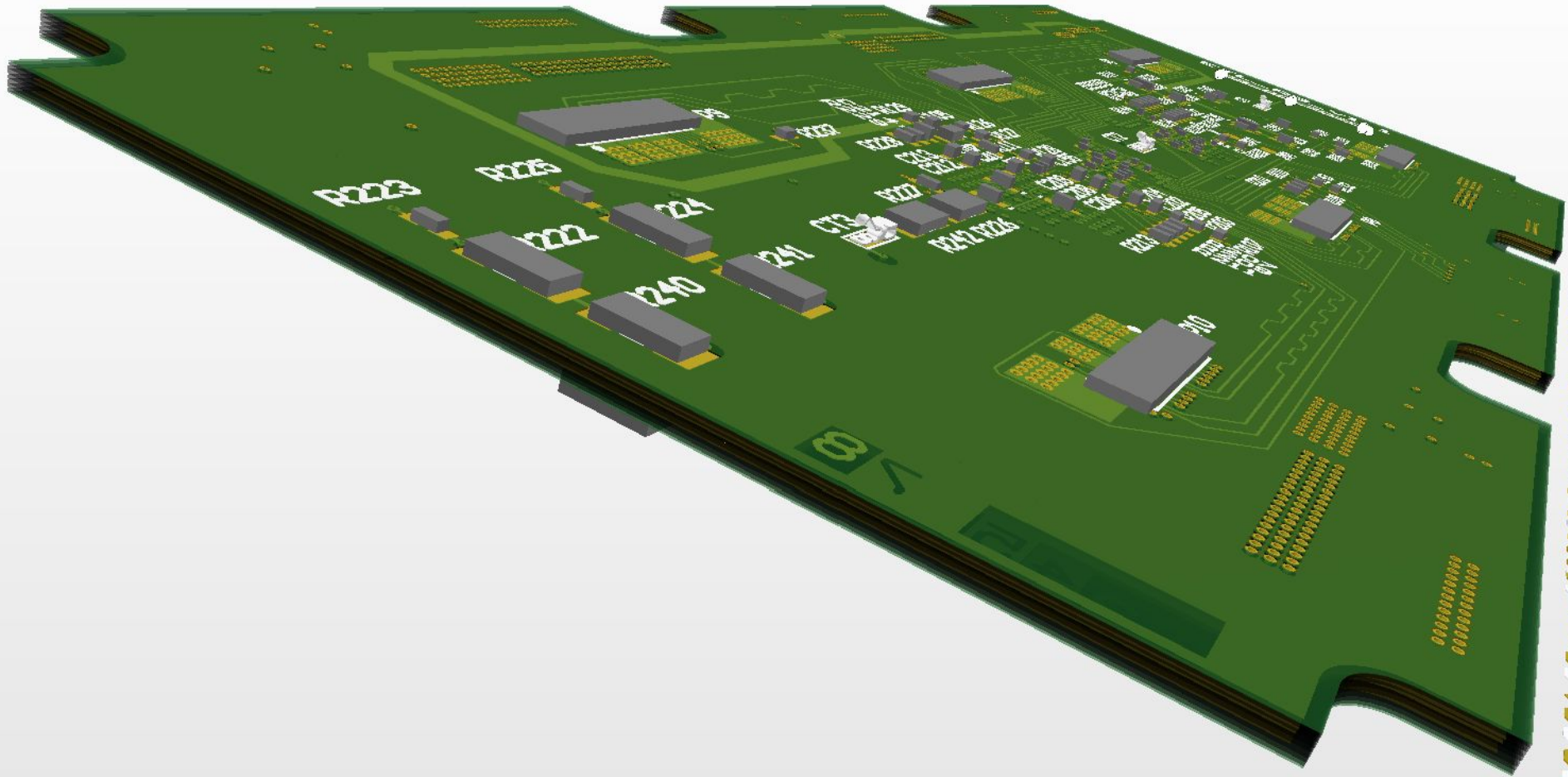




ETL_RB_v1.1
09_08_2020

87





Modeling and Simulation of PCB