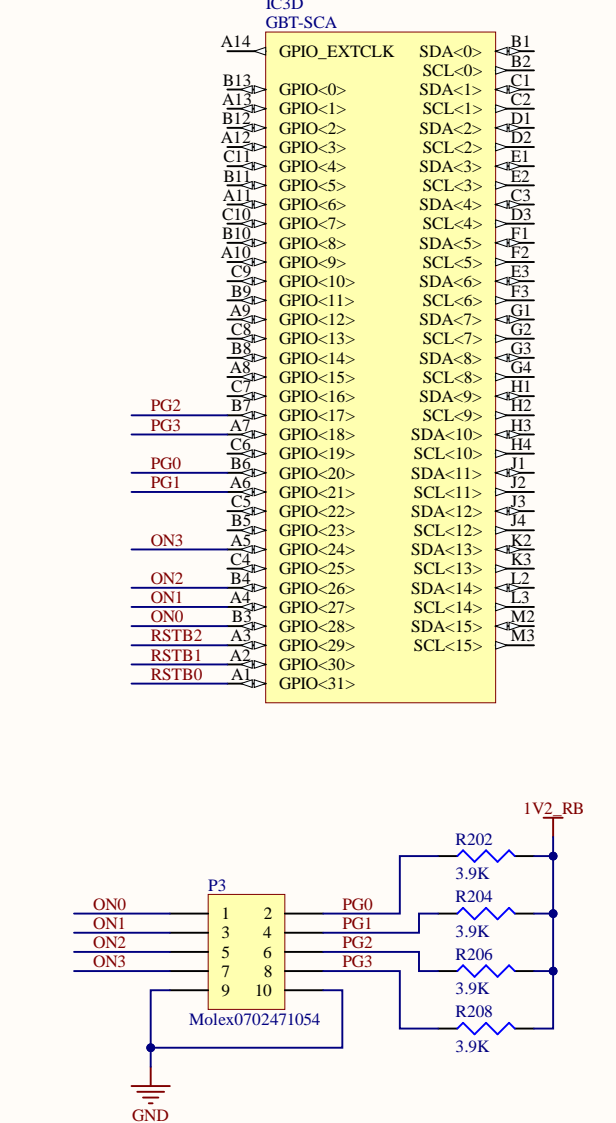
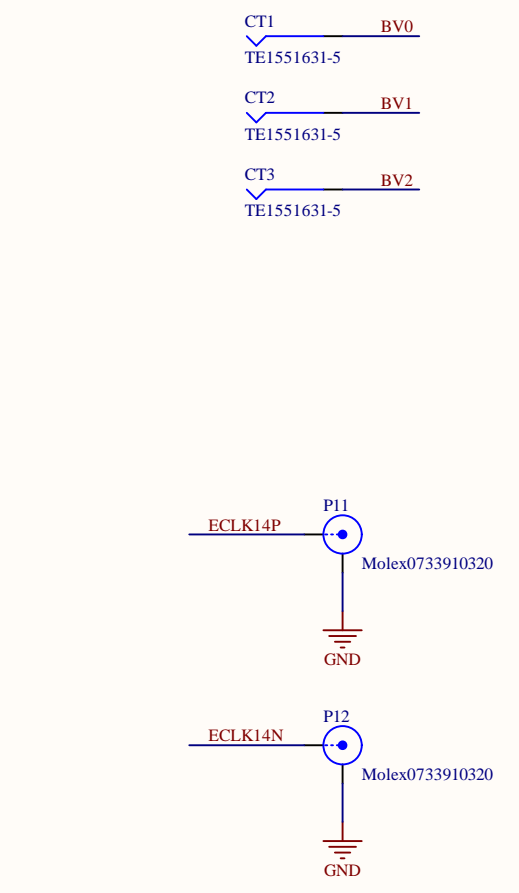
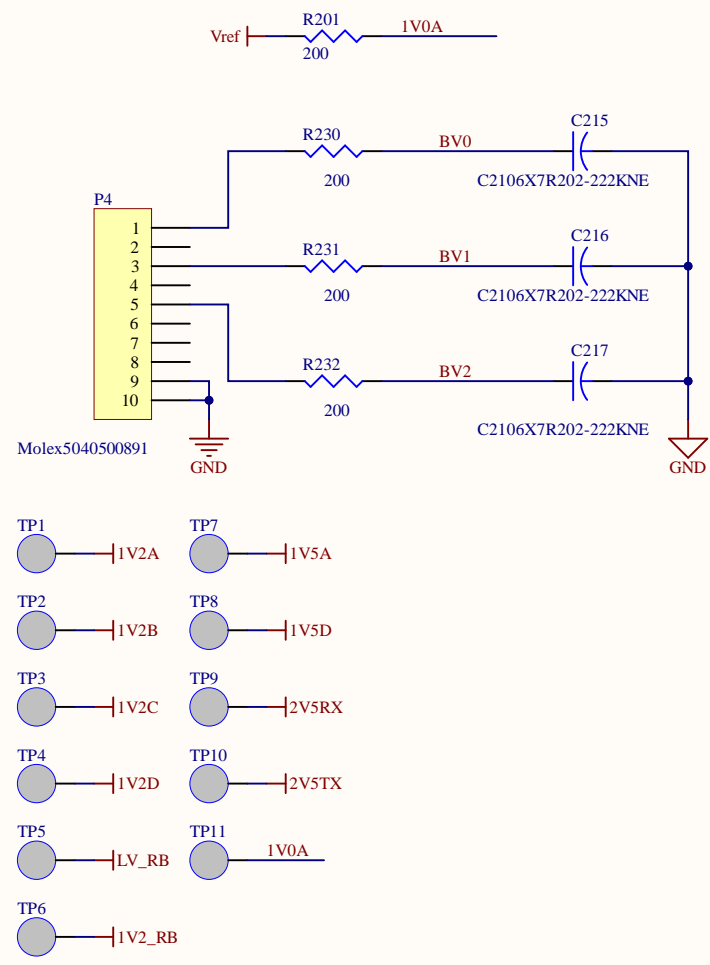
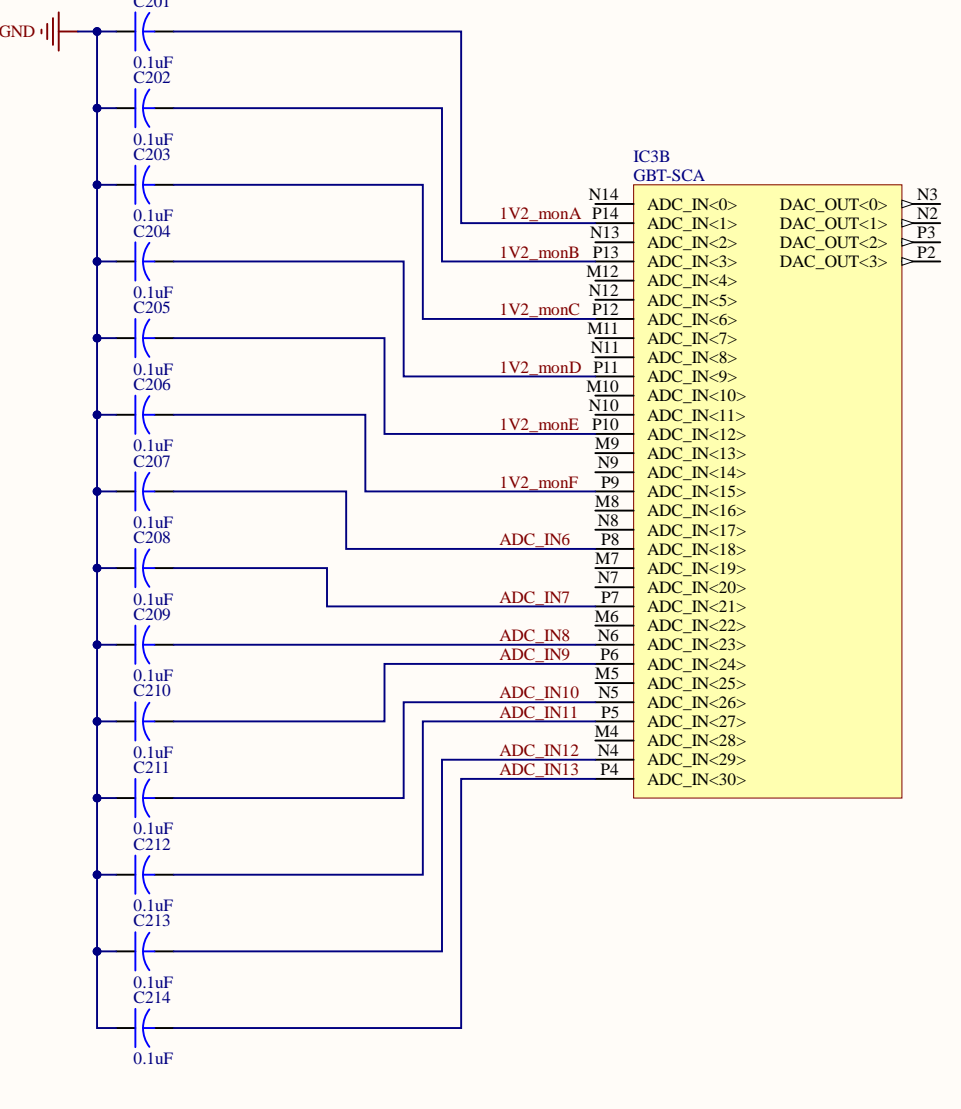
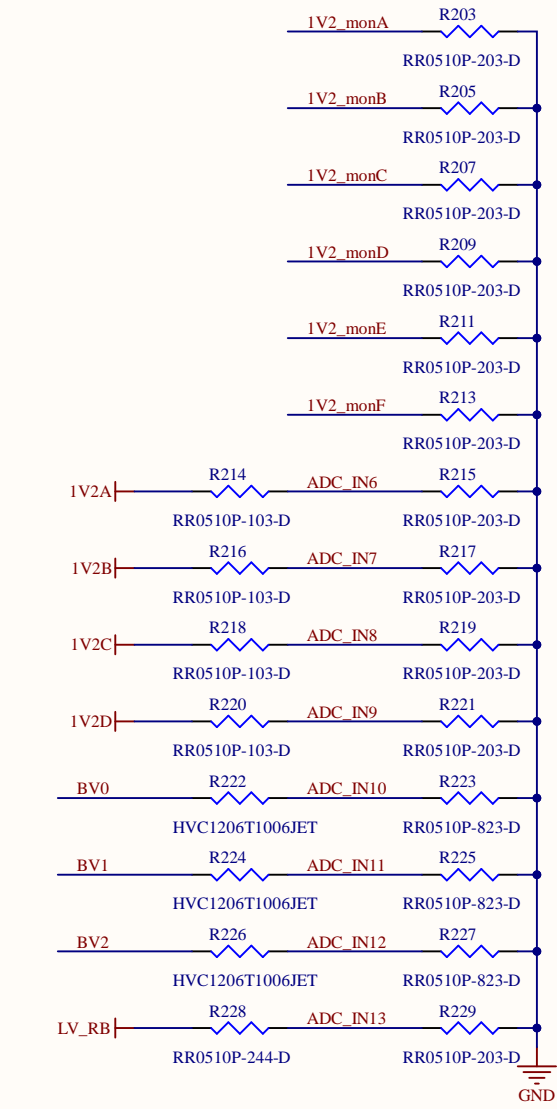
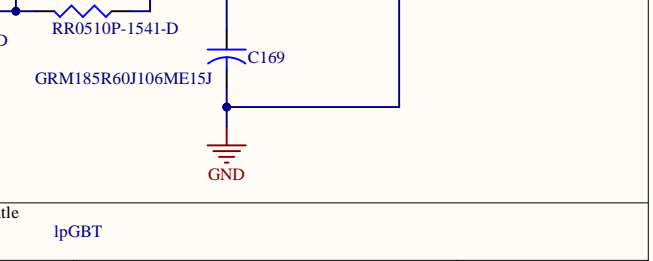
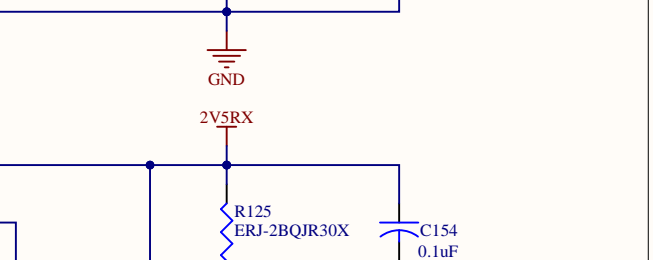
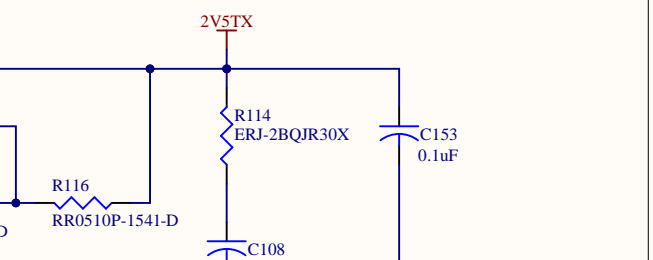
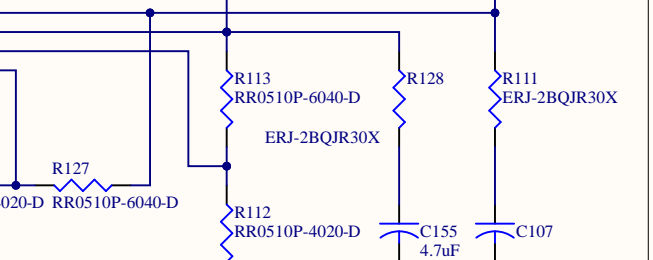
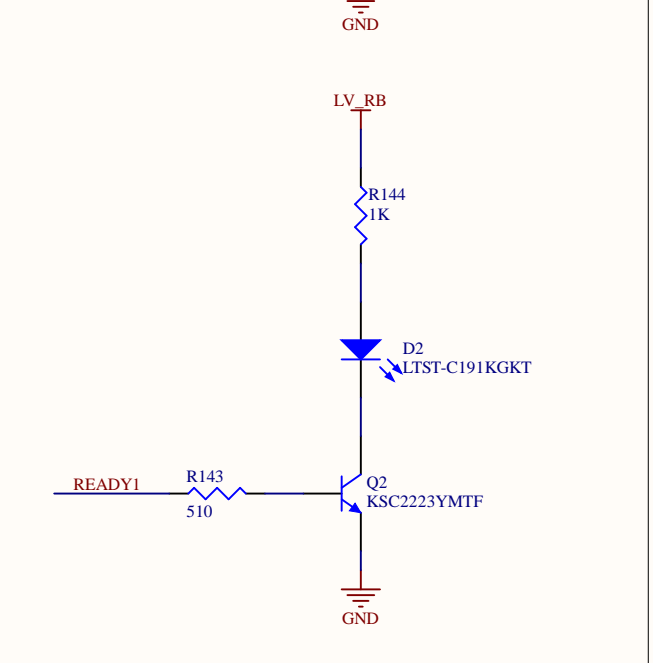
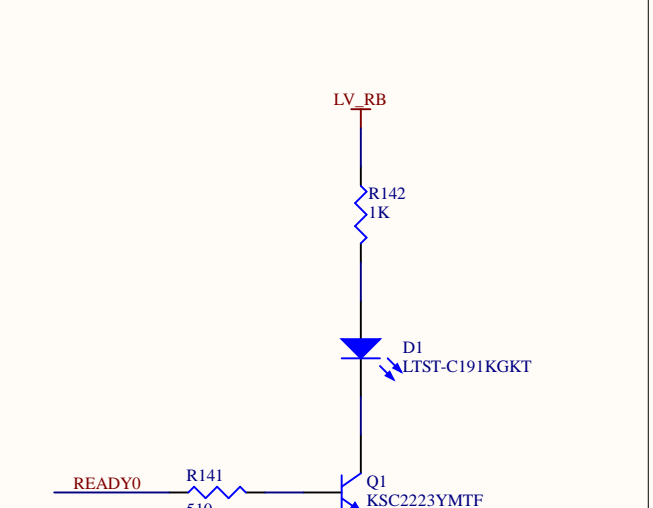
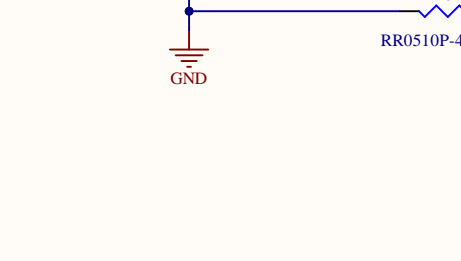
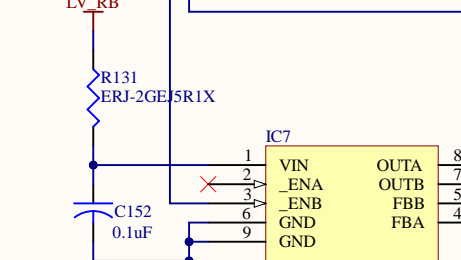
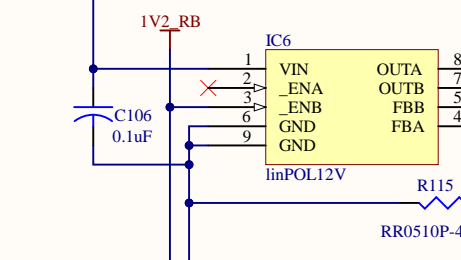
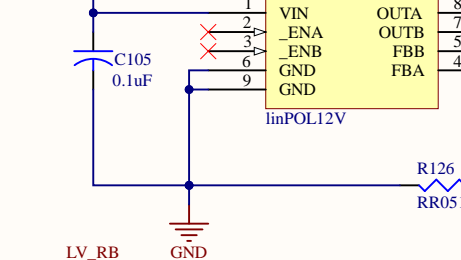
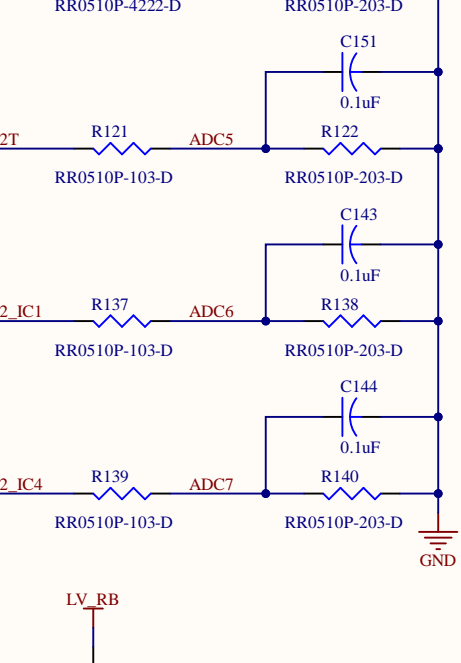
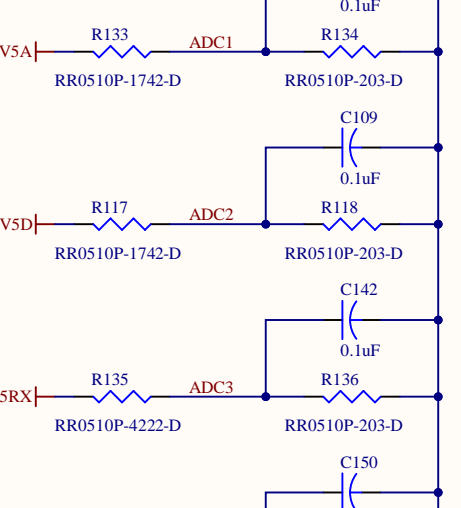
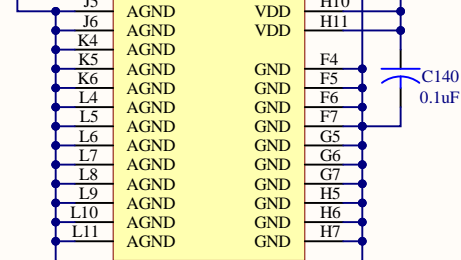
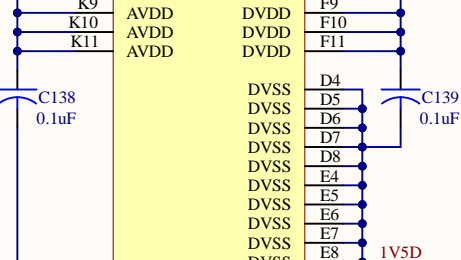
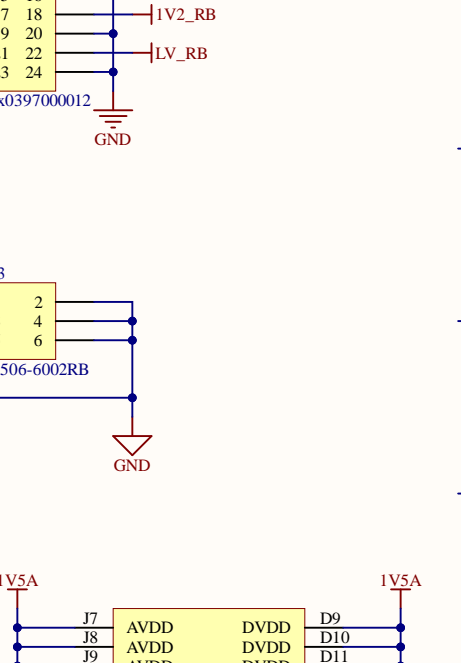
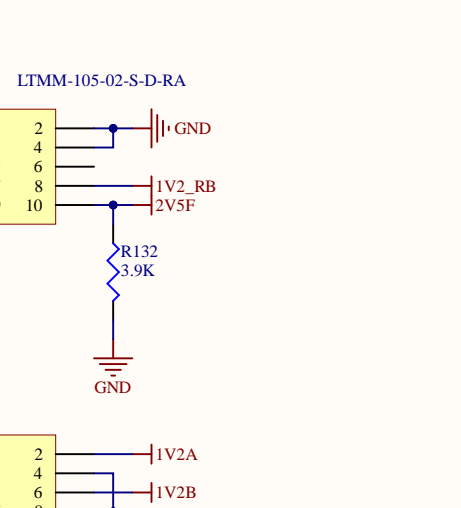
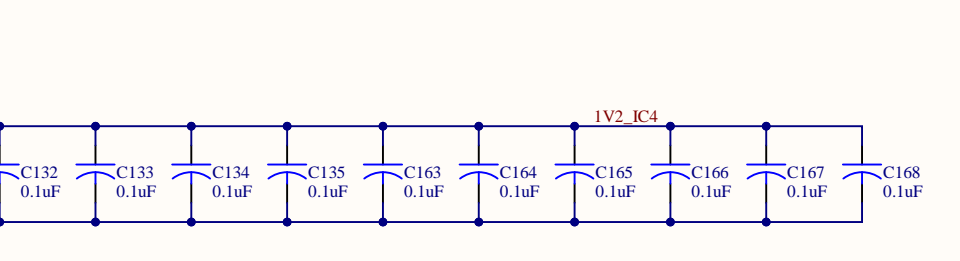
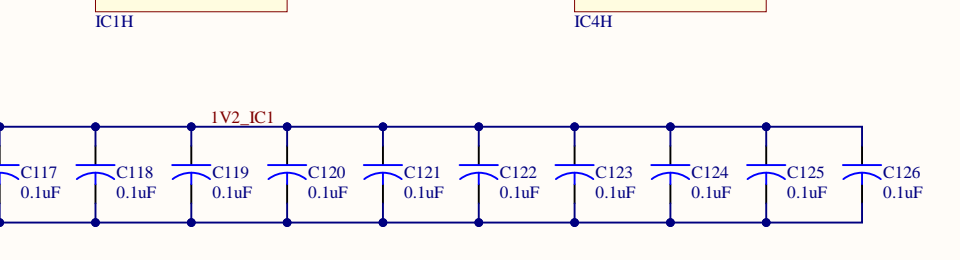
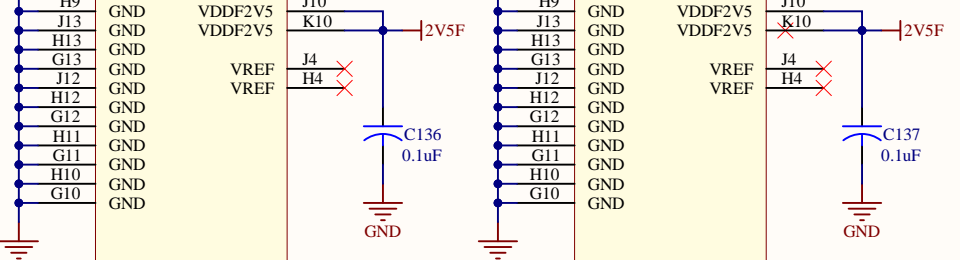
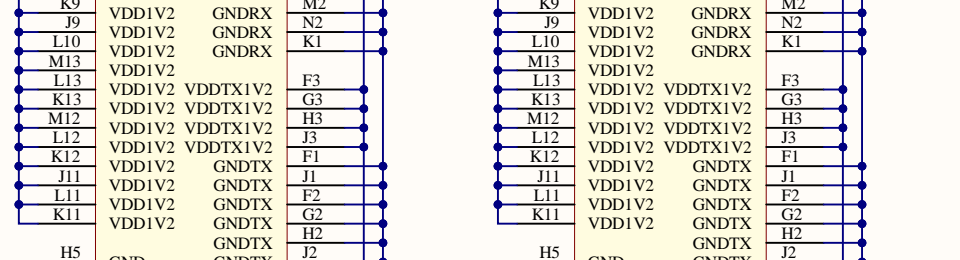
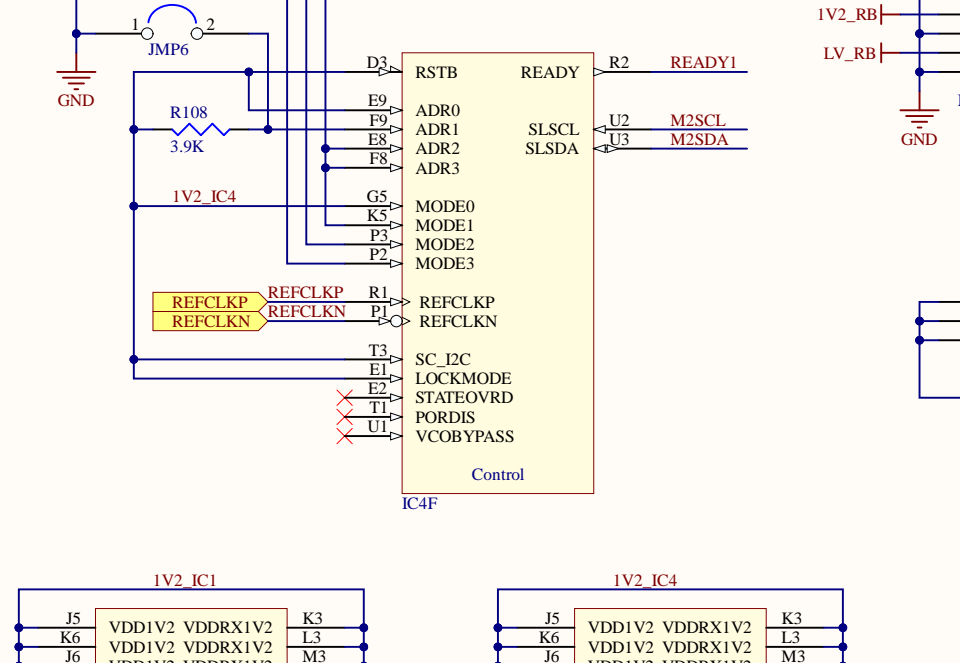
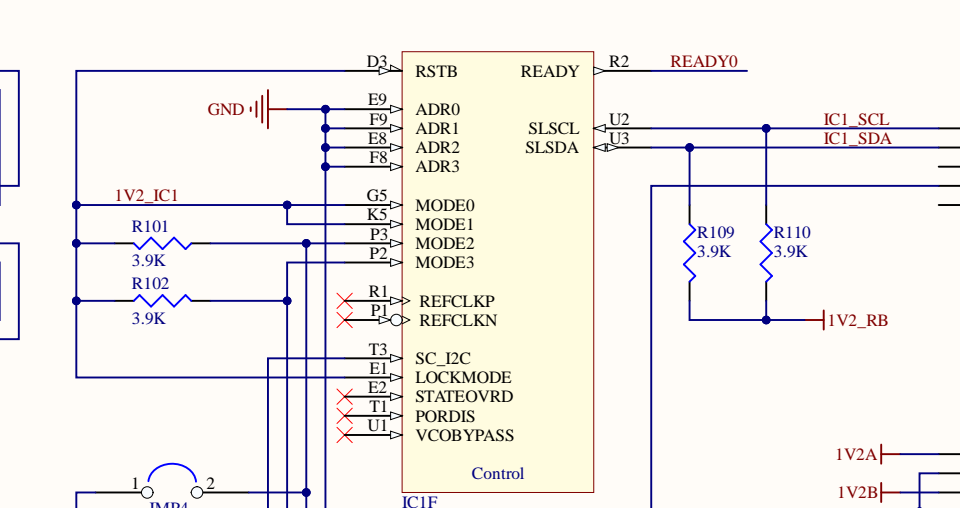
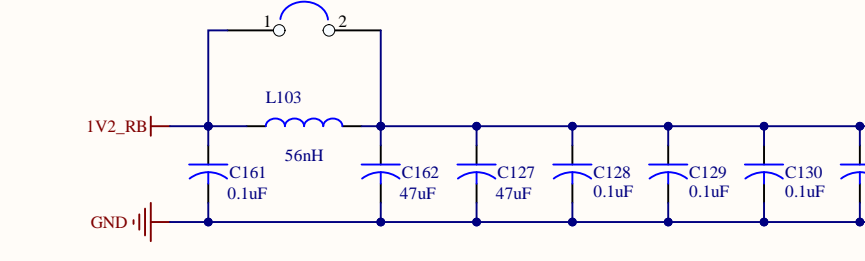
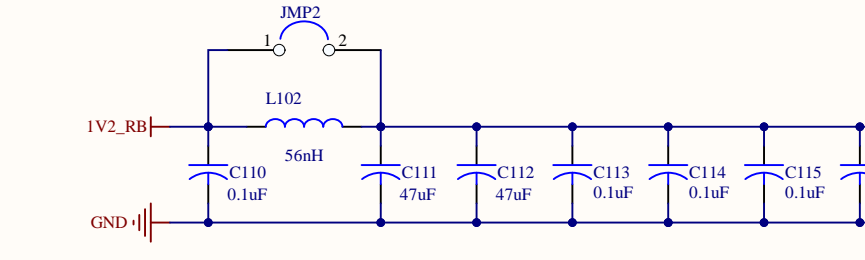
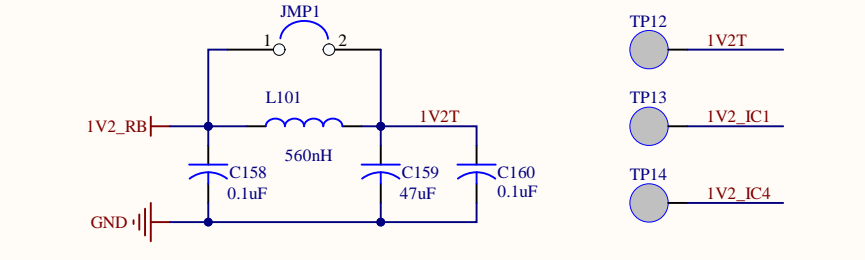
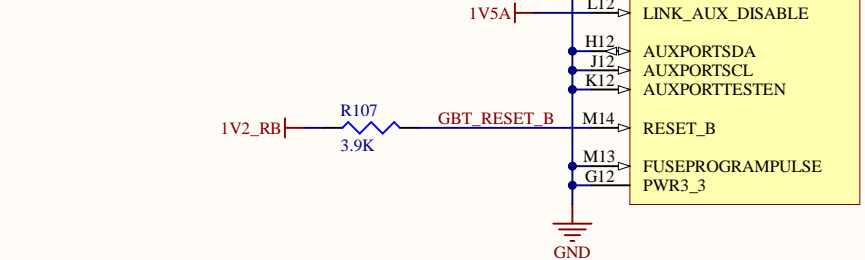
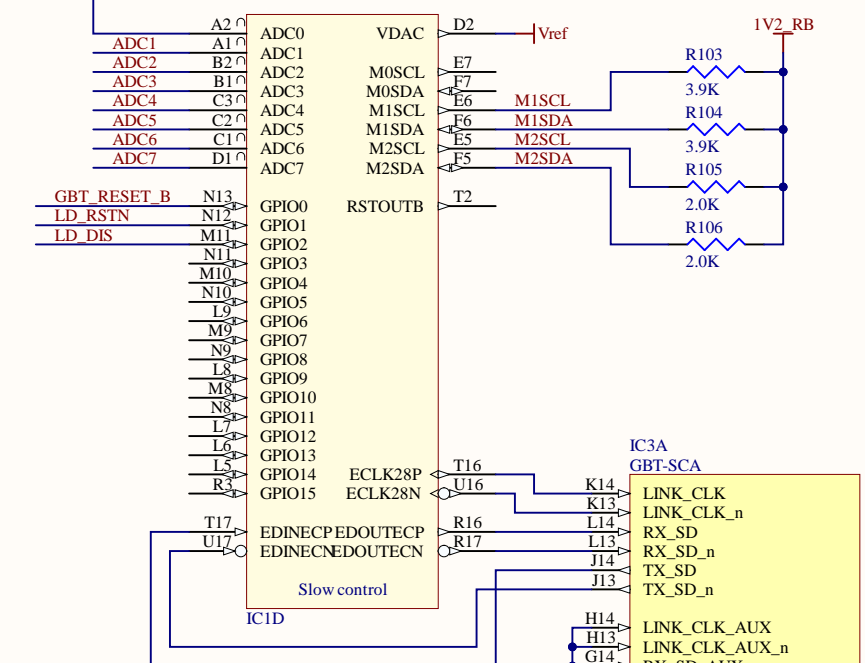
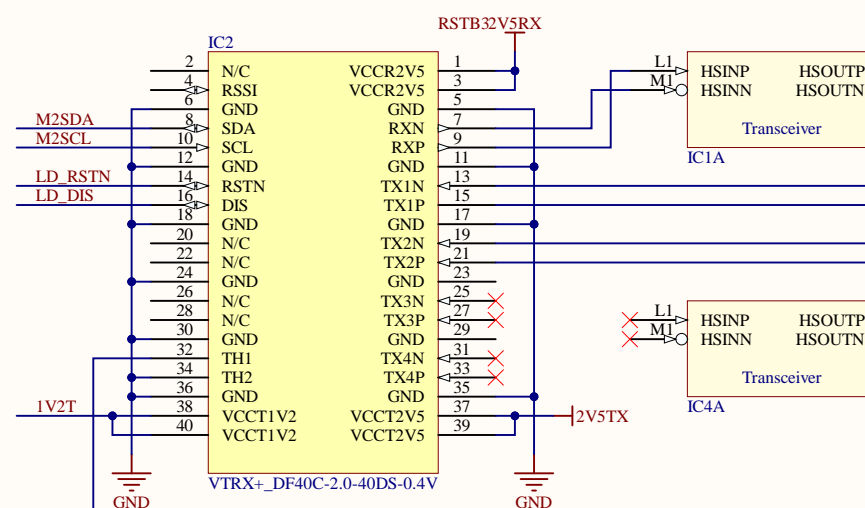


IC ADDR6 and ADDR5 of ETROC2 must be set to either 01 or 10
 pin 11 of P6, P8 and P10 sets ADDR3 of ETROC2
 pin 12 of P6, P8 and P10 sets ADDR4 of ETROC2
 ADDR2 and ADDR1 of ETROC2 are set on cover PCB of the module
 each ETROC2 has two I2C addresses

A resistor of RR0510P-103D is needed on the module for 1V2_monX
 After modules mounted on RB,
 First turn on 1V2D and make sure
 only 1V2_monD, 1V2_monE and
 1V2F reads 1.2V. 1V2A, 1V2B
 and 1V2C must all read as 0.



Title		
Module Connection		
Size	Number	Revision
C		2.1
Date:	8/10/2020	Sheet 2 of 2
File:	D:\tmp\WP7B.SchDoc	Drawn By: S. X. Wu



Title		
ipGBT		
Size	Number	Revision
C		2.1
Date:	8/10/2020	Sheet of 2
File:	D:\projects\ETL_RB\ipGBT.SchDoc	Drawn By: S. X. Wu