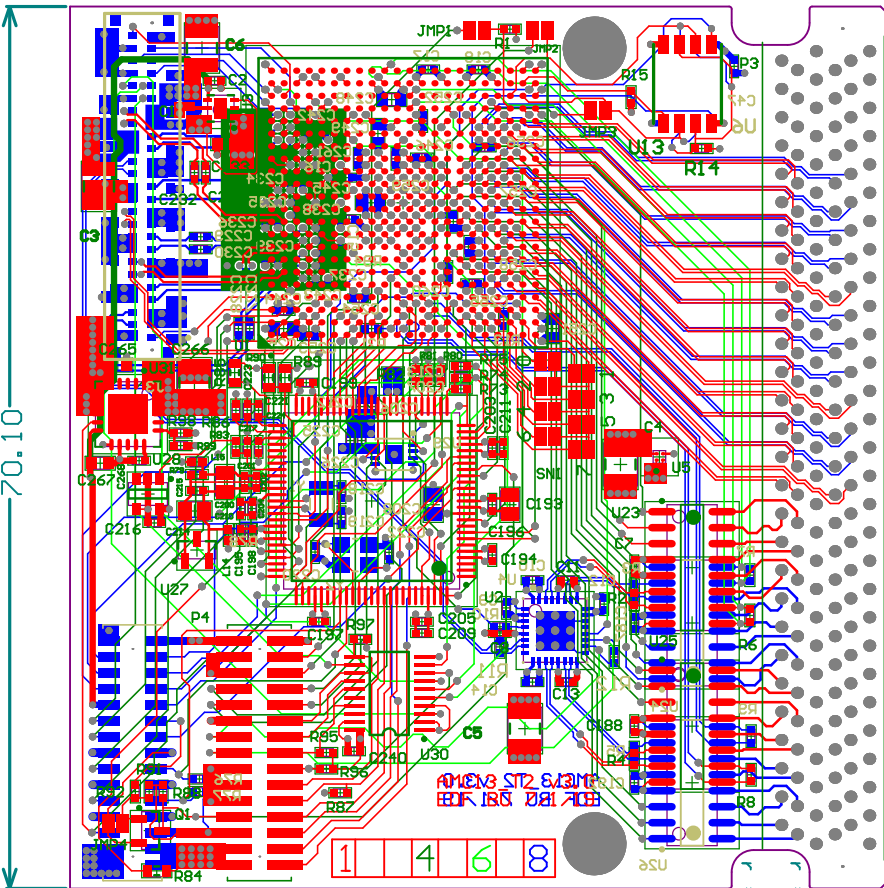


dimension tolerance  $\pm 0.1\text{mm}$   
 total thickness  $1.6 \pm 0.1\text{mm}$   
 dielectric thickness: (FR4)

layers 1-2        5mil  
 layers 2-3        3mil  
 layers 3-4        9mil  
 layers 4-5        9mil  
 layers 5-6        9mil  
 layers 6-7        9mil  
 layers 7-8        5mil

top and bottom use 1/2 ounce copper, others use 1 ounce copper  
 surface treatment: immersion gold



J3 at 26.5, 63.8  
 J4 at 27.0, 21.9  
 P3 at 83.6, 23.55  
 Holes at 61.7, 86.8, 13.55

T2New2019.PcbDoc  
 2020 2:03:25 PM