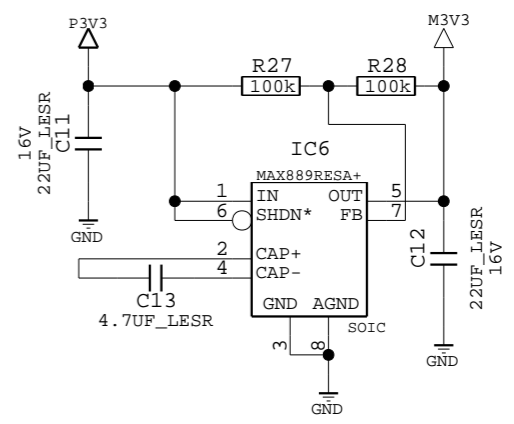
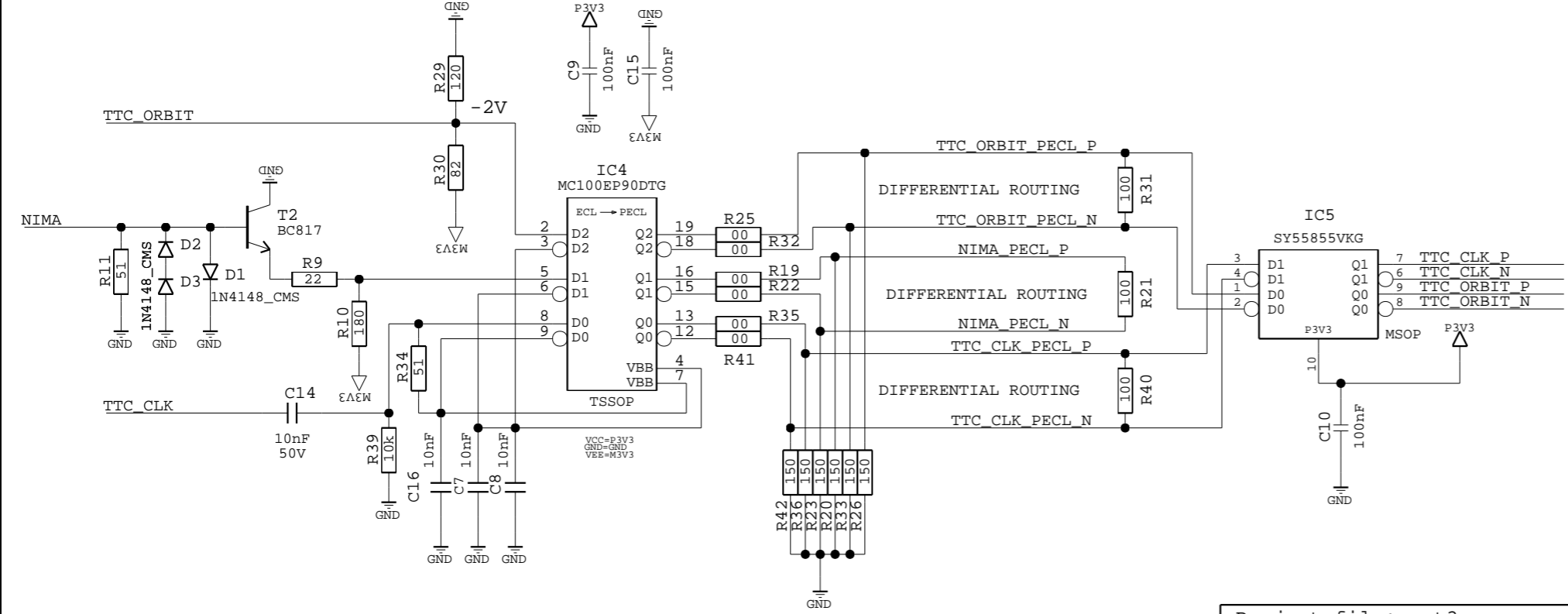

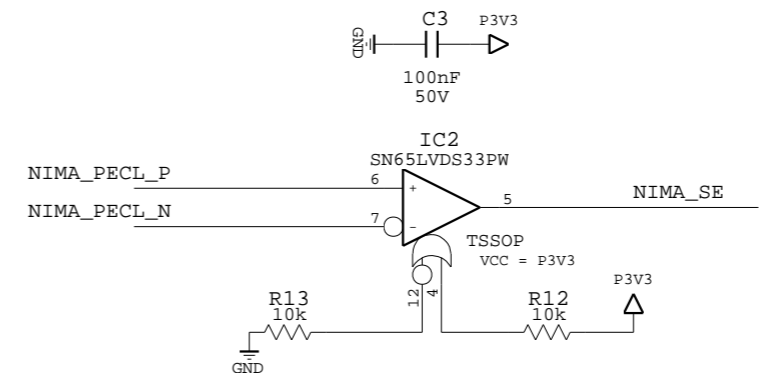
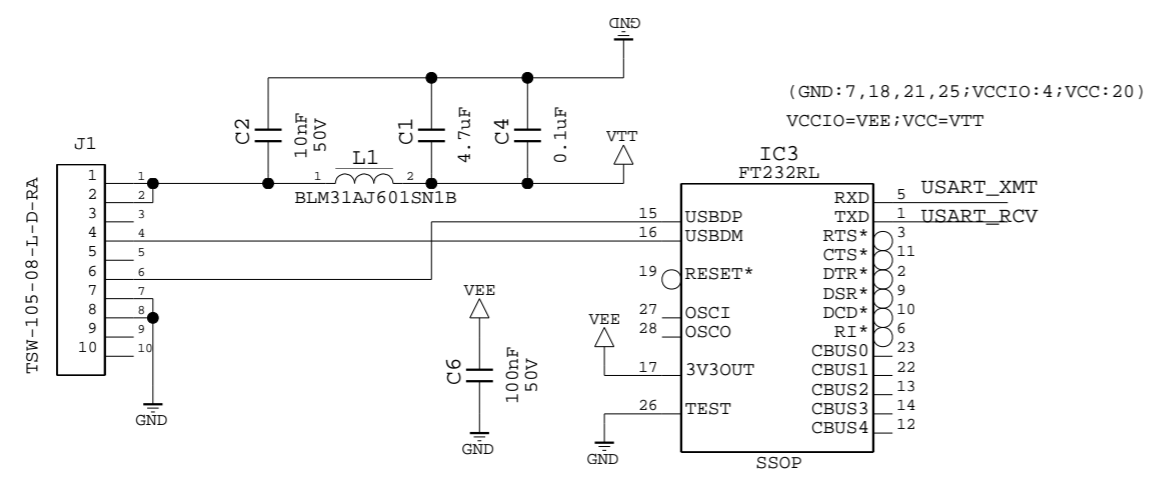
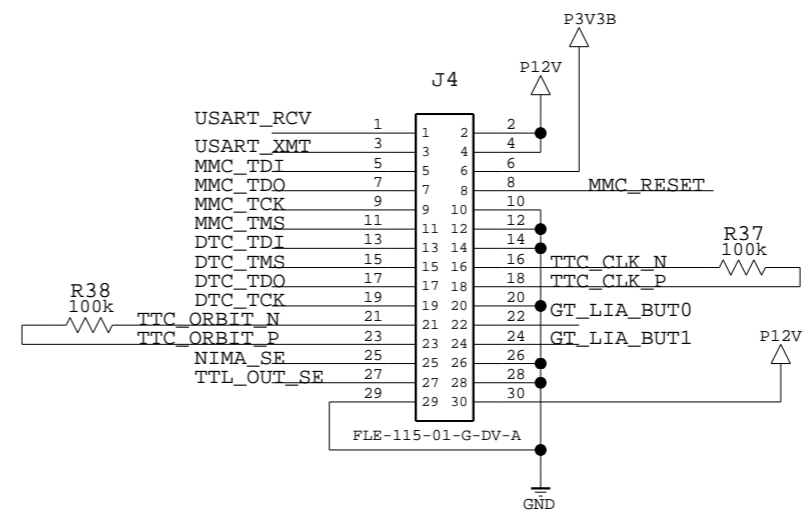
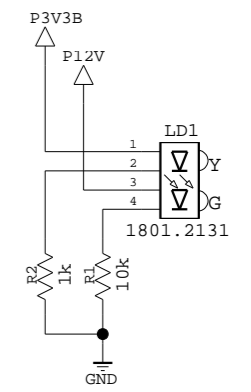
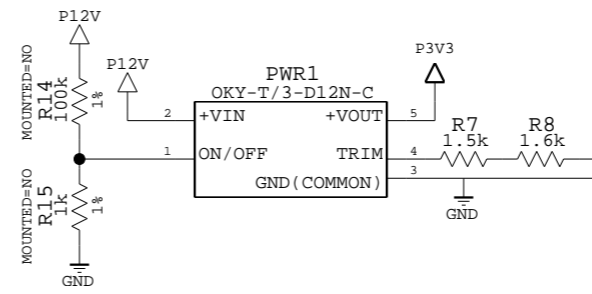
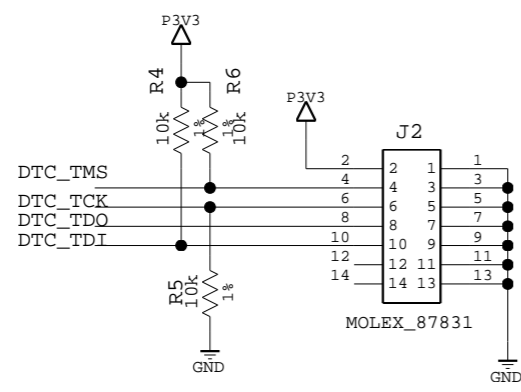
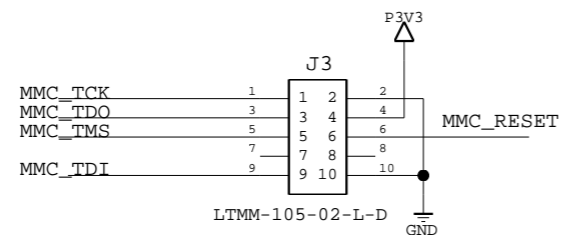



LENGTH MATCHING BETWEEN P&N: +/-5MM (+/-25PS)



Project file: cpmt3.cpm		SYSTEM: Cadence SPB16.3	
EDA-02857-V3-0		<b>PROJECT: TCDS_CPMT3</b>	
 European Organization for Nuclear Research 1211 GENEVA 23 SWITZERLAND	MODULE: cpmt3	Sheet: 1/2 / Project: 1/2	
	LAST_MODIFIED=Mon Jun 30 09:58:33 2014		
	Design by: HANSEN Magnus	PCB by: JMC	DATE: 26/06/2014



Project file: cpmt3.cpm		SYSTEM: Cadence SPB16.3	
EDA-02857-V3-0		<b>PROJECT: TCDS_CPMT3</b>	
 European Organization for Nuclear Research 1211 GENEVA 23 SWITZERLAND	MODULE: cpmt3	Sheet: 2/2 / Project: 2/2	
	LAST_MODIFIED=Mon Jun 30 09:58:33 2014		
	Design by: HANSEN Magnus	PCB by: JMC	DATE: 26/06/2014